

---

## Instruction Set Nomenclature

---

### Status Register (SREG)

SREG:	Status Register
C:	Carry Flag
Z:	Zero Flag
N:	Negative Flag
V:	Two's complement overflow indicator
S:	$N \oplus V$ , For signed tests
H:	Half Carry Flag
T:	Transfer bit used by BLD and BST instructions
I:	Global Interrupt Enable/Disable Flag

### Registers and Operands

Rd:	Destination (and source) register in the Register File
Rr:	Source register in the Register File
R:	Result after instruction is executed
K:	Constant data
k:	Constant address
b:	Bit in the Register File or I/O Register (3-bit)
s:	Bit in the Status Register (3-bit)
X,Y,Z:	Indirect Address Register ( $X=R27:R26$ , $Y=R29:R28$ and $Z=R31:R30$ )
A:	I/O location address
q:	Displacement for direct addressing (6-bit)



---

## 8-bit AVR<sup>®</sup> Instruction Set

---



## I/O Registers

---

### RAMPX, RAMPY, RAMPZ

Registers concatenated with the X-, Y-, and Z-registers enabling indirect addressing of the whole data space on MCUs with more than 64K bytes data space, and constant data fetch on MCUs with more than 64K bytes program space.

### RAMPD

Register concatenated with the Z-register enabling direct addressing of the whole data space on MCUs with more than 64K bytes data space.

### EIND

Register concatenated with the Z-register enabling indirect jump and call to the whole program space on MCUs with more than 64K words (128K bytes) program space.

### Stack

STACK: Stack for return address and pushed registers

SP: Stack Pointer to STACK

### Flags

- ↔: Flag affected by instruction
- 0: Flag cleared by instruction
- 1: Flag set by instruction
- : Flag not affected by instruction

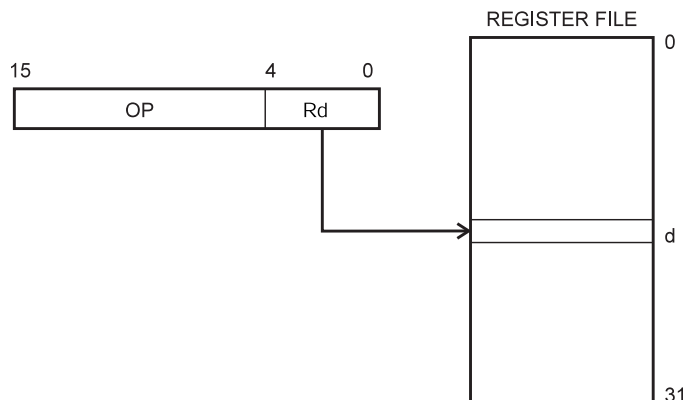
## The Program and Data Addressing Modes

The AVR Enhanced RISC microcontroller supports powerful and efficient addressing modes for access to the Program memory (Flash) and Data memory (SRAM, Register file, I/O Memory, and Extended I/O Memory). This section describes the various addressing modes supported by the AVR architecture. In the following figures, OP means the operation code part of the instruction word. To simplify, not all figures show the exact location of the addressing bits. To generalize, the abstract terms RAMEND and FLASHEND have been used to represent the highest location in data and program space, respectively.

Note: Not all addressing modes are present in all devices. Refer to the device specific instruction summary.

### Register Direct, Single Register Rd

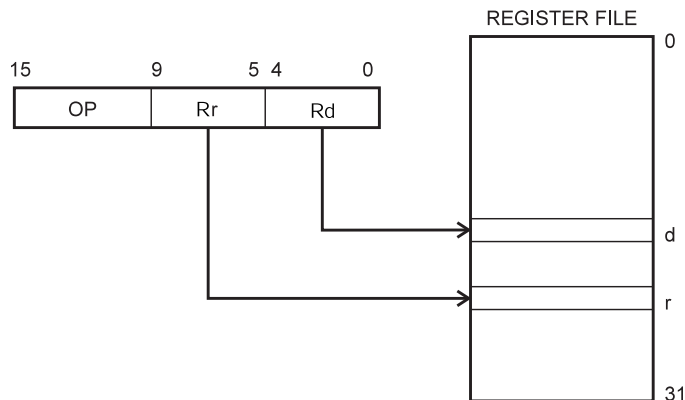
Figure 1. Direct Single Register Addressing



The operand is contained in register d (Rd).

### Register Direct, Two Registers Rd and Rr

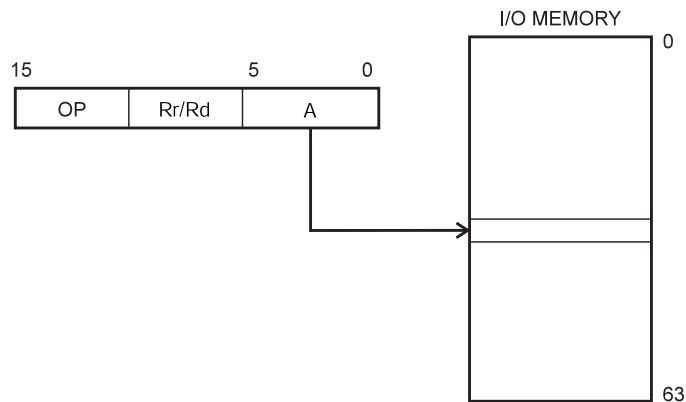
Figure 2. Direct Register Addressing, Two Registers



Operands are contained in register r (Rr) and d (Rd). The result is stored in register d (Rd).

## I/O Direct

**Figure 3.** I/O Direct Addressing

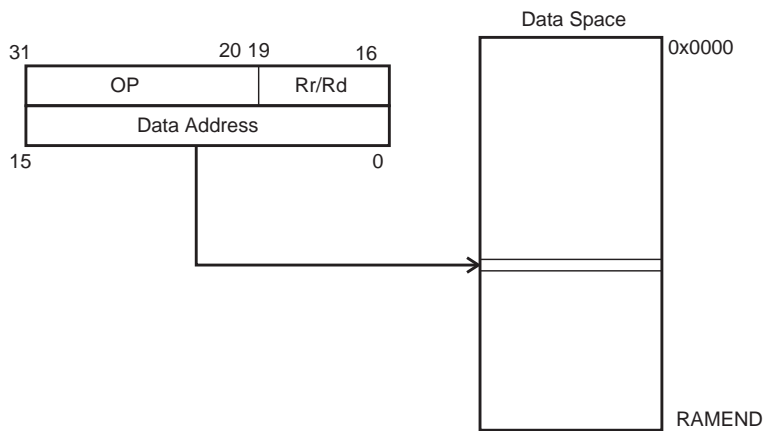


Operand address is contained in 6 bits of the instruction word. n is the destination or source register address.

Note: Some complex AVR Microcontrollers have more peripheral units than can be supported within the 64 locations reserved in the opcode for I/O direct addressing. The extended I/O memory from address 64 to 255 can only be reached by data addressing, not I/O addressing.

## Data Direct

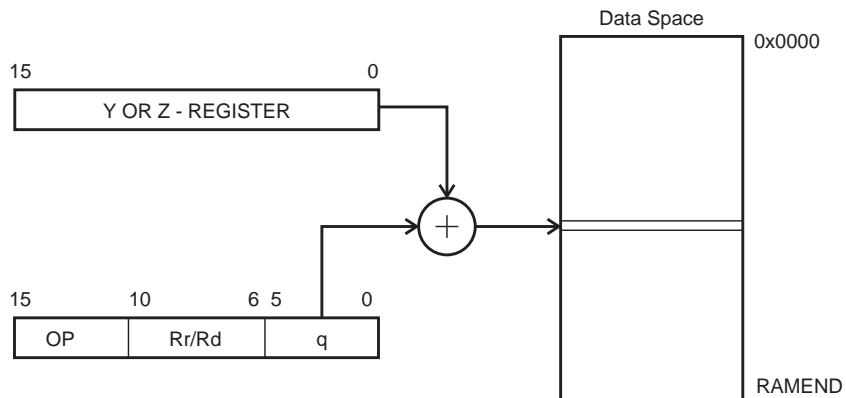
**Figure 4.** Direct Data Addressing



A 16-bit Data Address is contained in the 16 LSBs of a two-word instruction. Rd/Rr specify the destination or source register.

## Data Indirect with Displacement

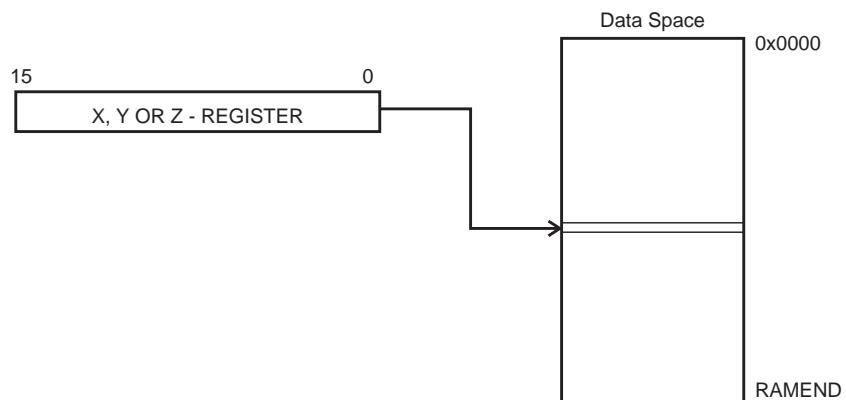
Figure 5. Data Indirect with Displacement



Operand address is the result of the Y- or Z-register contents added to the address contained in 6 bits of the instruction word. Rd/Rr specify the destination or source register.

## Data Indirect

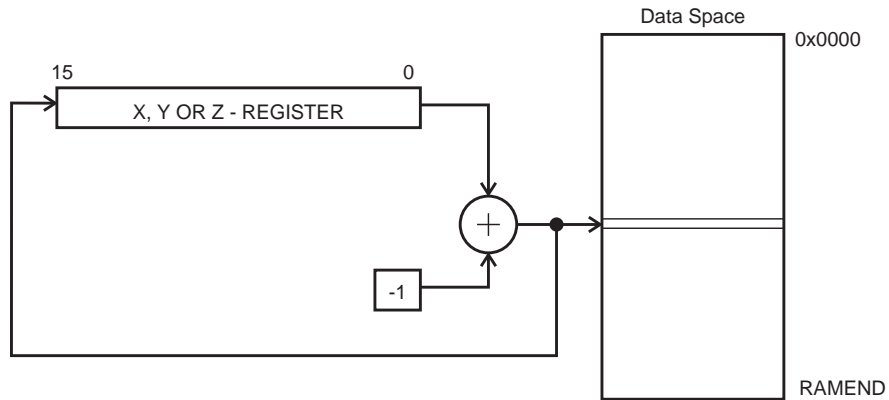
Figure 6. Data Indirect Addressing



Operand address is the contents of the X-, Y-, or the Z-register. In AVR devices without SRAM, Data Indirect Addressing is called Register Indirect Addressing. Register Indirect Addressing is a subset of Data Indirect Addressing since the data space from 0 to 31 is the Register File.

## Data Indirect with Pre-decrement

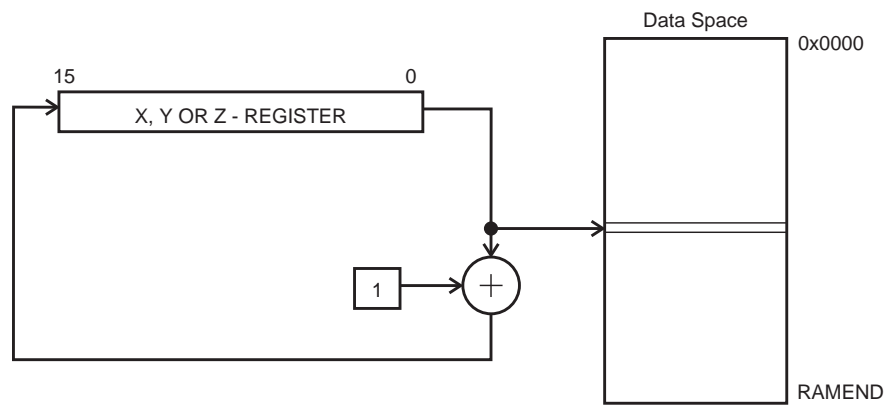
**Figure 7.** Data Indirect Addressing with Pre-decrement



The X-, Y-, or the Z-register is decremented before the operation. Operand address is the decremented contents of the X-, Y-, or the Z-register.

## Data Indirect with Post-increment

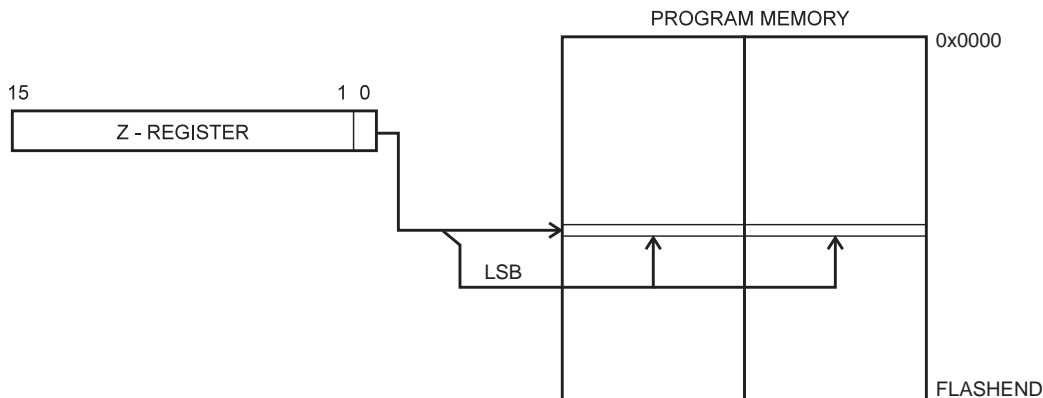
**Figure 8.** Data Indirect Addressing with Post-increment



The X-, Y-, or the Z-register is incremented after the operation. Operand address is the content of the X-, Y-, or the Z-register prior to incrementing.

## Program Memory Constant Addressing using the LPM, ELPM, and SPM Instructions

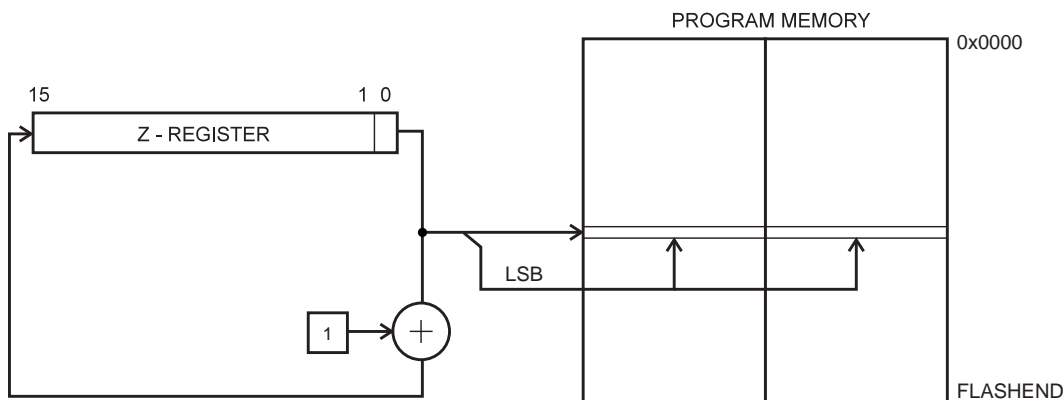
**Figure 9.** Program Memory Constant Addressing



Constant byte address is specified by the Z-register contents. The 15 MSBs select word address. For LPM, the LSB selects low byte if cleared (LSB = 0) or high byte if set (LSB = 1). For SPM, the LSB should be cleared. If ELPM is used, the RAMPZ Register is used to extend the Z-register.

## Program Memory with Post-increment using the LPM Z+ and ELPM Z+ Instruction

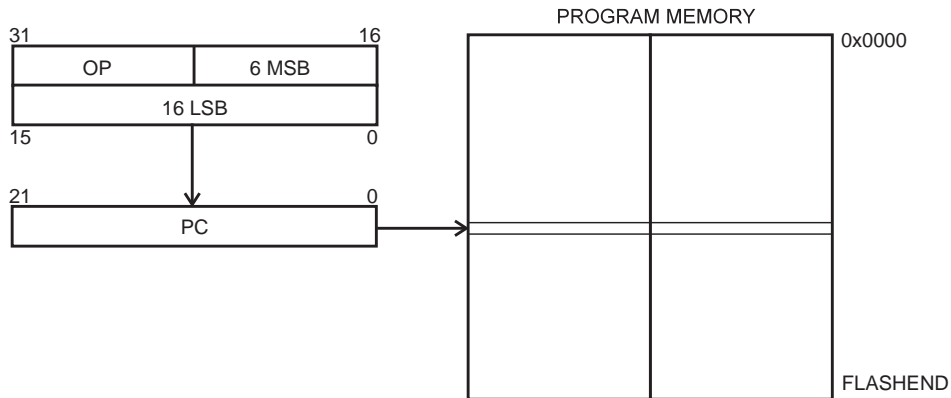
**Figure 10.** Program Memory Addressing with Post-increment



Constant byte address is specified by the Z-register contents. The 15 MSBs select word address. The LSB selects low byte if cleared (LSB = 0) or high byte if set (LSB = 1). If ELPM Z+ is used, the RAMPZ Register is used to extend the Z-register.

## Direct Program Addressing, JMP and CALL

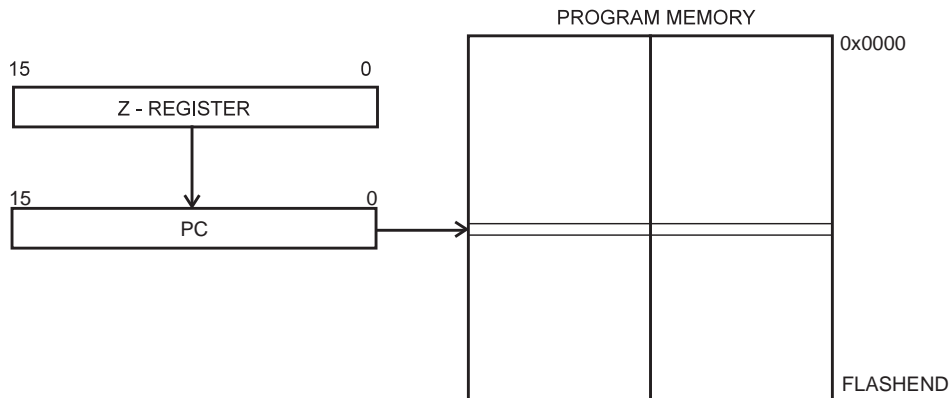
**Figure 11.** Direct Program Memory Addressing



Program execution continues at the address immediate in the instruction word.

## Indirect Program Addressing, IJMP and ICALL

**Figure 12.** Indirect Program Memory Addressing

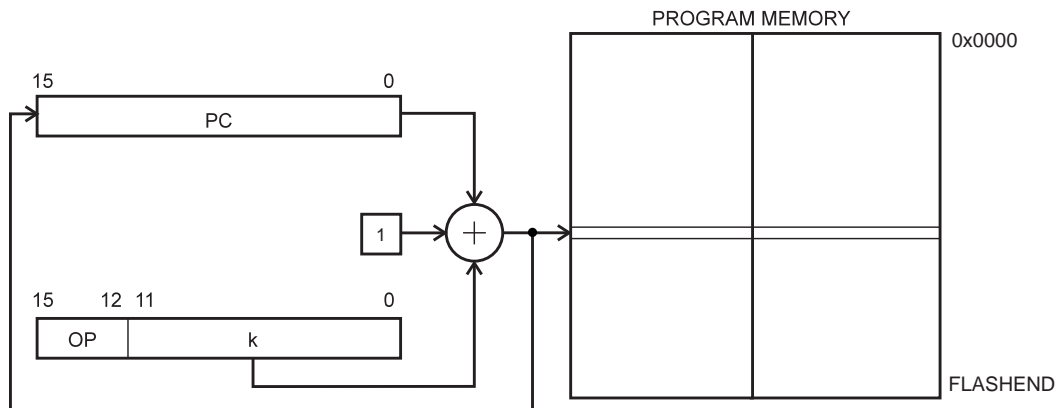


Program execution continues at address contained by the Z-register (i.e., the PC is loaded with the contents of the Z-register).



## Relative Program Addressing, RJMP and RCALL

Figure 13. Relative Program Memory Addressing



Program execution continues at address  $PC + k + 1$ . The relative address  $k$  is from -2048 to 2047.

## Conditional Branch Summary

Test	Boolean	Mnemonic	Complementary	Boolean	Mnemonic	Comment
Rd > Rr	$Z \cdot (N \oplus V) = 0$	BRLT <sup>(1)</sup>	Rd ≤ Rr	$Z + (N \oplus V) = 1$	BRGE*	Signed
Rd □ Rr	$(N \oplus V) = 0$	BRGE	Rd < Rr	$(N \oplus V) = 1$	BRLT	Signed
Rd = Rr	Z = 1	BREQ	Rd ≠ Rr	Z = 0	BRNE	Signed
Rd ≤ Rr	$Z + (N \oplus V) = 1$	BRGE <sup>(1)</sup>	Rd > Rr	$Z \cdot (N \oplus V) = 0$	BRLT*	Signed
Rd < Rr	$(N \oplus V) = 1$	BRLT	Rd ≥ Rr	$(N \oplus V) = 0$	BRGE	Signed
Rd > Rr	C + Z = 0	BRLO <sup>(1)</sup>	Rd ≤ Rr	C + Z = 1	BRSH*	Unsigned
Rd □ Rr	C = 0	BRSH/BRCC	Rd < Rr	C = 1	BRLO/BRCS	Unsigned
Rd = Rr	Z = 1	BREQ	Rd ≠ Rr	Z = 0	BRNE	Unsigned
Rd ≤ Rr	C + Z = 1	BRSH <sup>(1)</sup>	Rd > Rr	C + Z = 0	BRLO*	Unsigned
Rd < Rr	C = 1	BRLO/BRCS	Rd ≥ Rr	C = 0	BRSH/BRCC	Unsigned
Carry	C = 1	BRCS	No carry	C = 0	BRCC	Simple
Negative	N = 1	BRMI	Positive	N = 0	BRPL	Simple
Overflow	V = 1	BRVS	No overflow	V = 0	BRVC	Simple
Zero	Z = 1	BREQ	Not zero	Z = 0	BRNE	Simple

Note: 1. Interchange Rd and Rr in the operation before the test, i.e., CP Rd,Rr → CP Rr,Rd

## Complete Instruction Set Summary

### Instruction Set Summary

Mnemonics	Operands	Description	Operation	Flags	#Clocks	#Clocks XMEGA
<b>Arithmetic and Logic Instructions</b>						
ADD	Rd, Rr	Add without Carry	$Rd \leftarrow Rd + Rr$	Z,C,N,V,S,H	1	
ADC	Rd, Rr	Add with Carry	$Rd \leftarrow Rd + Rr + C$	Z,C,N,V,S,H	1	
ADIW <sup>(1)</sup>	Rd, K	Add Immediate to Word	$Rd \leftarrow Rd + 1:Rd + K$	Z,C,N,V,S	2	
SUB	Rd, Rr	Subtract without Carry	$Rd \leftarrow Rd - Rr$	Z,C,N,V,S,H	1	
SUBI	Rd, K	Subtract Immediate	$Rd \leftarrow Rd - K$	Z,C,N,V,S,H	1	
SBC	Rd, Rr	Subtract with Carry	$Rd \leftarrow Rd - Rr - C$	Z,C,N,V,S,H	1	
SBCI	Rd, K	Subtract Immediate with Carry	$Rd \leftarrow Rd - K - C$	Z,C,N,V,S,H	1	
SBIW <sup>(1)</sup>	Rd, K	Subtract Immediate from Word	$Rd + 1:Rd \leftarrow Rd + 1:Rd - K$	Z,C,N,V,S	2	
AND	Rd, Rr	Logical AND	$Rd \leftarrow Rd \bullet Rr$	Z,N,V,S	1	
ANDI	Rd, K	Logical AND with Immediate	$Rd \leftarrow Rd \bullet K$	Z,N,V,S	1	
OR	Rd, Rr	Logical OR	$Rd \leftarrow Rd \vee Rr$	Z,N,V,S	1	
ORI	Rd, K	Logical OR with Immediate	$Rd \leftarrow Rd \vee K$	Z,N,V,S	1	
EOR	Rd, Rr	Exclusive OR	$Rd \leftarrow Rd \oplus Rr$	Z,N,V,S	1	
COM	Rd	One's Complement	$Rd \leftarrow \$FF - Rd$	Z,C,N,V,S	1	
NEG	Rd	Two's Complement	$Rd \leftarrow \$00 - Rd$	Z,C,N,V,S,H	1	
SBR	Rd,K	Set Bit(s) in Register	$Rd \leftarrow Rd \vee K$	Z,N,V,S	1	
CBR	Rd,K	Clear Bit(s) in Register	$Rd \leftarrow Rd \bullet (\$FFh - K)$	Z,N,V,S	1	
INC	Rd	Increment	$Rd \leftarrow Rd + 1$	Z,N,V,S	1	
DEC	Rd	Decrement	$Rd \leftarrow Rd - 1$	Z,N,V,S	1	
TST	Rd	Test for Zero or Minus	$Rd \leftarrow Rd \bullet Rd$	Z,N,V,S	1	
CLR	Rd	Clear Register	$Rd \leftarrow Rd \oplus Rd$	Z,N,V,S	1	
SER	Rd	Set Register	$Rd \leftarrow \$FF$	None	1	
MUL <sup>(1)</sup>	Rd,Rr	Multiply Unsigned	$R1:R0 \leftarrow Rd \times Rr$ (UU)	Z,C	2	
MULS <sup>(1)</sup>	Rd,Rr	Multiply Signed	$R1:R0 \leftarrow Rd \times Rr$ (SS)	Z,C	2	
MULSU <sup>(1)</sup>	Rd,Rr	Multiply Signed with Unsigned	$R1:R0 \leftarrow Rd \times Rr$ (SU)	Z,C	2	
FMUL <sup>(1)</sup>	Rd,Rr	Fractional Multiply Unsigned	$R1:R0 \leftarrow Rd \times Rr \ll 1$ (UU)	Z,C	2	
FMULS <sup>(1)</sup>	Rd,Rr	Fractional Multiply Signed	$R1:R0 \leftarrow Rd \times Rr \ll 1$ (SS)	Z,C	2	
FMULSU <sup>(1)</sup>	Rd,Rr	Fractional Multiply Signed with Unsigned	$R1:R0 \leftarrow Rd \times Rr \ll 1$ (SU)	Z,C	2	
DES	K	Data Encryption	if (H = 0) then R15:R0 $\leftarrow$ Encrypt(R15:R0, K) else if (H = 1) then R15:R0 $\leftarrow$ Decrypt(R15:R0, K)			1/2
<b>Branch Instructions</b>						
RJMP	k	Relative Jump	$PC \leftarrow PC + k + 1$	None	2	
IJMP <sup>(1)</sup>		Indirect Jump to (Z)	$PC(15:0) \leftarrow Z,$ $PC(21:16) \leftarrow 0$	None	2	
EIJMP <sup>(1)</sup>		Extended Indirect Jump to (Z)	$PC(15:0) \leftarrow Z,$ $PC(21:16) \leftarrow EIND$	None	2	
JMP <sup>(1)</sup>	k	Jump	$PC \leftarrow k$	None	3	

Mnemonics	Operands	Description	Operation	Flags	#Clocks	#Clocks XMEGA
RCALL	k	Relative Call Subroutine	PC ← PC + k + 1	None	3 / 4 <sup>(3)(5)</sup>	2 / 3 <sup>(3)</sup>
ICALL <sup>(1)</sup>		Indirect Call to (Z)	PC(15:0) ← Z, PC(21:16) ← 0	None	3 / 4 <sup>(3)</sup>	2 / 3 <sup>(3)</sup>
EICALL <sup>(1)</sup>		Extended Indirect Call to (Z)	PC(15:0) ← Z, PC(21:16) ← EIND	None	4 <sup>(3)</sup>	3 <sup>(3)</sup>
CALL <sup>(1)</sup>	k	call Subroutine	PC ← k	None	4 / 5 <sup>(3)</sup>	3 / 4 <sup>(3)</sup>
RET		Subroutine Return	PC ← STACK	None	4 / 5 <sup>(3)</sup>	
RETI		Interrupt Return	PC ← STACK	I	4 / 5 <sup>(3)</sup>	
CPSE	Rd,Rr	Compare, Skip if Equal	if (Rd = Rr) PC ← PC + 2 or 3	None	1 / 2 / 3	
CP	Rd,Rr	Compare	Rd - Rr	Z,C,N,V,S,H	1	
CPC	Rd,Rr	Compare with Carry	Rd - Rr - C	Z,C,N,V,S,H	1	
CPI	Rd,K	Compare with Immediate	Rd - K	Z,C,N,V,S,H	1	
SBRC	Rr, b	Skip if Bit in Register Cleared	if (Rr(b) = 0) PC ← PC + 2 or 3	None	1 / 2 / 3	
SBRS	Rr, b	Skip if Bit in Register Set	if (Rr(b) = 1) PC ← PC + 2 or 3	None	1 / 2 / 3	
SBIC	A, b	Skip if Bit in I/O Register Cleared	if (I/O(A,b) = 0) PC ← PC + 2 or 3	None	1 / 2 / 3	2 / 3 / 4
SBIS	A, b	Skip if Bit in I/O Register Set	if (I/O(A,b) = 1) PC ← PC + 2 or 3	None	1 / 2 / 3	2 / 3 / 4
BRBS	s, k	Branch if Status Flag Set	if (SREG(s) = 1) then PC ← PC + k + 1	None	1 / 2	
BRBC	s, k	Branch if Status Flag Cleared	if (SREG(s) = 0) then PC ← PC + k + 1	None	1 / 2	
BREQ	k	Branch if Equal	if (Z = 1) then PC ← PC + k + 1	None	1 / 2	
BRNE	k	Branch if Not Equal	if (Z = 0) then PC ← PC + k + 1	None	1 / 2	
BRCS	k	Branch if Carry Set	if (C = 1) then PC ← PC + k + 1	None	1 / 2	
BRCC	k	Branch if Carry Cleared	if (C = 0) then PC ← PC + k + 1	None	1 / 2	
BRSH	k	Branch if Same or Higher	if (C = 0) then PC ← PC + k + 1	None	1 / 2	
BRLO	k	Branch if Lower	if (C = 1) then PC ← PC + k + 1	None	1 / 2	
BRMI	k	Branch if Minus	if (N = 1) then PC ← PC + k + 1	None	1 / 2	
BRPL	k	Branch if Plus	if (N = 0) then PC ← PC + k + 1	None	1 / 2	
BRGE	k	Branch if Greater or Equal, Signed	if (N ⊕ V = 0) then PC ← PC + k + 1	None	1 / 2	
BRLT	k	Branch if Less Than, Signed	if (N ⊕ V = 1) then PC ← PC + k + 1	None	1 / 2	
BRHS	k	Branch if Half Carry Flag Set	if (H = 1) then PC ← PC + k + 1	None	1 / 2	
BRHC	k	Branch if Half Carry Flag Cleared	if (H = 0) then PC ← PC + k + 1	None	1 / 2	
BRTS	k	Branch if T Flag Set	if (T = 1) then PC ← PC + k + 1	None	1 / 2	
BRTC	k	Branch if T Flag Cleared	if (T = 0) then PC ← PC + k + 1	None	1 / 2	
BRVS	k	Branch if Overflow Flag is Set	if (V = 1) then PC ← PC + k + 1	None	1 / 2	
BRVC	k	Branch if Overflow Flag is Cleared	if (V = 0) then PC ← PC + k + 1	None	1 / 2	
BRIE	k	Branch if Interrupt Enabled	if (I = 1) then PC ← PC + k + 1	None	1 / 2	
BRID	k	Branch if Interrupt Disabled	if (I = 0) then PC ← PC + k + 1	None	1 / 2	
<b>Data Transfer Instructions</b>						
MOV	Rd, Rr	Copy Register	Rd ← Rr	None	1	
MOVW <sup>(1)</sup>	Rd, Rr	Copy Register Pair	Rd+1:Rd ← Rr+1:Rr	None	1	
LDI	Rd, K	Load Immediate	Rd ← K	None	1	
LDS <sup>(1)</sup>	Rd, k	Load Direct from data space	Rd ← (k)	None	1 <sup>(5)</sup> /2 <sup>(3)</sup>	2 <sup>(3)(4)</sup>
LD <sup>(2)</sup>	Rd, X	Load Indirect	Rd ← (X)	None	1 <sup>(5)</sup> 2 <sup>(3)</sup>	1 <sup>(3)(4)</sup>

Mnemonics	Operands	Description	Operation	Flags	#Clocks	#Clocks XMEGA
LD <sup>(2)</sup>	Rd, X+	Load Indirect and Post-Increment	Rd ← (X) X ← X + 1	None	2 <sup>(3)</sup>	1 <sup>(3)(4)</sup>
LD <sup>(2)</sup>	Rd, -X	Load Indirect and Pre-Decrement	X ← X - 1, Rd ← (X)	None	2 <sup>(3)/3<sup>(5)</sup></sup>	2 <sup>(3)(4)</sup>
LD <sup>(2)</sup>	Rd, Y	Load Indirect	Rd ← (Y)	None	1 <sup>(5)/2<sup>(3)</sup></sup>	1 <sup>(3)(4)</sup>
LD <sup>(2)</sup>	Rd, Y+	Load Indirect and Post-Increment	Rd ← (Y) Y ← Y + 1	None	2 <sup>(3)</sup>	1 <sup>(3)(4)</sup>
LD <sup>(2)</sup>	Rd, -Y	Load Indirect and Pre-Decrement	Y ← Y - 1 Rd ← (Y)	None	2 <sup>(3)/3<sup>(5)</sup></sup>	2 <sup>(3)(4)</sup>
LDD <sup>(1)</sup>	Rd, Y+q	Load Indirect with Displacement	Rd ← (Y + q)	None	2 <sup>(3)</sup>	2 <sup>(3)(4)</sup>
LD <sup>(2)</sup>	Rd, Z	Load Indirect	Rd ← (Z)	None	1 <sup>(5)/2<sup>(3)</sup></sup>	1 <sup>(3)(4)</sup>
LD <sup>(2)</sup>	Rd, Z+	Load Indirect and Post-Increment	Rd ← (Z), Z ← Z+1	None	2 <sup>(3)</sup>	1 <sup>(3)(4)</sup>
LD <sup>(2)</sup>	Rd, -Z	Load Indirect and Pre-Decrement	Z ← Z - 1, Rd ← (Z)	None	2 <sup>(3)/3<sup>(5)</sup></sup>	2 <sup>(3)(4)</sup>
LDD <sup>(1)</sup>	Rd, Z+q	Load Indirect with Displacement	Rd ← (Z + q)	None	2 <sup>(3)</sup>	2 <sup>(3)(4)</sup>
STS <sup>(1)</sup>	k, Rr	Store Direct to Data Space	(k) ← Rr	None	1 <sup>(5)/2<sup>(3)</sup></sup>	2 <sup>(3)</sup>
ST <sup>(2)</sup>	X, Rr	Store Indirect	(X) ← Rr	None	1 <sup>(5)/2<sup>(3)</sup></sup>	1 <sup>(3)</sup>
ST <sup>(2)</sup>	X+, Rr	Store Indirect and Post-Increment	(X) ← Rr, X ← X + 1	None	1 <sup>(5)/2<sup>(3)</sup></sup>	1 <sup>(3)</sup>
ST <sup>(2)</sup>	-X, Rr	Store Indirect and Pre-Decrement	X ← X - 1, (X) ← Rr	None	2 <sup>(3)</sup>	2 <sup>(3)</sup>
ST <sup>(2)</sup>	Y, Rr	Store Indirect	(Y) ← Rr	None	1 <sup>(5)/2<sup>(3)</sup></sup>	1 <sup>(3)</sup>
ST <sup>(2)</sup>	Y+, Rr	Store Indirect and Post-Increment	(Y) ← Rr, Y ← Y + 1	None	1 <sup>(5)/2<sup>(3)</sup></sup>	1 <sup>(3)</sup>
ST <sup>(2)</sup>	-Y, Rr	Store Indirect and Pre-Decrement	Y ← Y - 1, (Y) ← Rr	None	2 <sup>(3)</sup>	2 <sup>(3)</sup>
STD <sup>(1)</sup>	Y+q, Rr	Store Indirect with Displacement	(Y + q) ← Rr	None	2 <sup>(3)</sup>	2 <sup>(3)</sup>
ST <sup>(2)</sup>	Z, Rr	Store Indirect	(Z) ← Rr	None	1 <sup>(5)/2<sup>(3)</sup></sup>	1 <sup>(3)</sup>
ST <sup>(2)</sup>	Z+, Rr	Store Indirect and Post-Increment	(Z) ← Rr, Z ← Z + 1	None	1 <sup>(5)/2<sup>(3)</sup></sup>	1 <sup>(3)</sup>
ST <sup>(2)</sup>	-Z, Rr	Store Indirect and Pre-Decrement	Z ← Z - 1	None	2 <sup>(3)</sup>	2 <sup>(3)</sup>
STD <sup>(1)</sup>	Z+q,Rr	Store Indirect with Displacement	(Z + q) ← Rr	None	2 <sup>(3)</sup>	2 <sup>(3)</sup>
LPM <sup>(1)(2)</sup>		Load Program Memory	R0 ← (Z)	None	3	3
LPM <sup>(1)(2)</sup>	Rd, Z	Load Program Memory	Rd ← (Z)	None	3	3
LPM <sup>(1)(2)</sup>	Rd, Z+	Load Program Memory and Post-Increment	Rd ← (Z), Z ← Z + 1	None	3	3
ELPM <sup>(1)</sup>		Extended Load Program Memory	R0 ← (RAMPZ:Z)	None	3	
ELPM <sup>(1)</sup>	Rd, Z	Extended Load Program Memory	Rd ← (RAMPZ:Z)	None	3	
ELPM <sup>(1)</sup>	Rd, Z+	Extended Load Program Memory and Post-Increment	Rd ← (RAMPZ:Z), Z ← Z + 1	None	3	
SPM <sup>(1)</sup>		Store Program Memory	(RAMPZ:Z) ← R1:R0	None	-	-
SPM <sup>(1)</sup>	Z+	Store Program Memory and Post-Increment by 2	(RAMPZ:Z) ← R1:R0, Z ← Z + 2	None	-	-
IN	Rd, A	In From I/O Location	Rd ← I/O(A)	None	1	
OUT	A, Rr	Out To I/O Location	I/O(A) ← Rr	None	1	
PUSH <sup>(1)</sup>	Rr	Push Register on Stack	STACK ← Rr	None	2	1 <sup>(3)</sup>
POP <sup>(1)</sup>	Rd	Pop Register from Stack	Rd ← STACK	None	2	2 <sup>(3)</sup>

Mnemonics	Operands	Description	Operation	Flags	#Clocks	#Clocks XMEGA
<b>Bit and Bit-test Instructions</b>						
LSL	Rd	Logical Shift Left	Rd(n+1) ← Rd(n), Rd(0) ← 0, C ← Rd(7)	Z,C,N,V,H	1	
LSR	Rd	Logical Shift Right	Rd(n) ← Rd(n+1), Rd(7) ← 0, C ← Rd(0)	Z,C,N,V	1	
ROL	Rd	Rotate Left Through Carry	Rd(0) ← C, Rd(n+1) ← Rd(n), C ← Rd(7)	Z,C,N,V,H	1	
ROR	Rd	Rotate Right Through Carry	Rd(7) ← C, Rd(n) ← Rd(n+1), C ← Rd(0)	Z,C,N,V	1	
ASR	Rd	Arithmetic Shift Right	Rd(n) ← Rd(n+1), n=0..6	Z,C,N,V	1	
SWAP	Rd	Swap Nibbles	Rd(3..0) ↔ Rd(7..4)	None	1	
BSET	s	Flag Set	SREG(s) ← 1	SREG(s)	1	
BCLR	s	Flag Clear	SREG(s) ← 0	SREG(s)	1	
SBI	A, b	Set Bit in I/O Register	I/O(A, b) ← 1	None	1 <sup>(5)</sup> /2	1
CBI	A, b	Clear Bit in I/O Register	I/O(A, b) ← 0	None	1 <sup>(5)</sup> /2	1
BST	Rr, b	Bit Store from Register to T	T ← Rr(b)	T	1	
BLD	Rd, b	Bit load from T to Register	Rd(b) ← T	None	1	
SEC		Set Carry	C ← 1	C	1	
CLC		Clear Carry	C ← 0	C	1	
SEN		Set Negative Flag	N ← 1	N	1	
CLN		Clear Negative Flag	N ← 0	N	1	
SEZ		Set Zero Flag	Z ← 1	Z	1	
CLZ		Clear Zero Flag	Z ← 0	Z	1	
SEI		Global Interrupt Enable	I ← 1	I	1	
CLI		Global Interrupt Disable	I ← 0	I	1	
SES		Set Signed Test Flag	S ← 1	S	1	
CLS		Clear Signed Test Flag	S ← 0	S	1	
SEV		Set Two's Complement Overflow	V ← 1	V	1	
CLV		Clear Two's Complement Overflow	V ← 0	V	1	
SET		Set T in SREG	T ← 1	T	1	
CLT		Clear T in SREG	T ← 0	T	1	
SEH		Set Half Carry Flag in SREG	H ← 1	H	1	
CLH		Clear Half Carry Flag in SREG	H ← 0	H	1	
<b>MCU Control Instructions</b>						
BREAK <sup>(1)</sup>		Break	(See specific descr. for BREAK)	None	1	
NOP		No Operation		None	1	
SLEEP		Sleep	(see specific descr. for Sleep)	None	1	
WDR		Watchdog Reset	(see specific descr. for WDR)	None	1	

- Notes:
1. This instruction is not available in all devices. Refer to the device specific instruction set summary.
  2. Not all variants of this instruction are available in all devices. Refer to the device specific instruction set summary.
  3. Cycle times for Data memory accesses assume internal memory accesses, and are not valid for accesses via the external RAM interface.

4. One extra cycle must be added when accessing Internal SRAM.
5. Number of clock cycles for ATtiny10.

## ADC – Add with Carry

### Description:

Adds two registers and the contents of the C Flag and places the result in the destination register Rd.

#### Operation:

(i)  $Rd \leftarrow Rd + Rr + C$

#### Syntax:

(i) ADC Rd,Rr

#### Operands:

$0 \leq d \leq 31, 0 \leq r \leq 31$

#### Program Counter:

$PC \leftarrow PC + 1$

#### 16-bit Opcode:

0001	11rd	dddd	rrrr
------	------	------	------

### Status Register (SREG) Boolean Formula:

I	T	H	S	V	N	Z	C
–	–	$\Leftrightarrow$	$\Leftrightarrow$	$\Leftrightarrow$	$\Leftrightarrow$	$\Leftrightarrow$	$\Leftrightarrow$

H:  $Rd3 \cdot Rr3 + Rr3 \cdot \overline{R3} + \overline{R3} \cdot Rd3$   
Set if there was a carry from bit 3; cleared otherwise

S:  $N \oplus V$ , For signed tests.

V:  $Rd7 \cdot Rr7 \cdot \overline{R7} + \overline{Rd7} \cdot \overline{Rr7} \cdot R7$   
Set if two's complement overflow resulted from the operation; cleared otherwise.

N: R7  
Set if MSB of the result is set; cleared otherwise.

Z:  $\overline{R7} \cdot \overline{R6} \cdot \overline{R5} \cdot \overline{R4} \cdot \overline{R3} \cdot \overline{R2} \cdot \overline{R1} \cdot \overline{R0}$   
Set if the result is \$00; cleared otherwise.

C:  $Rd7 \cdot Rr7 + Rr7 \cdot \overline{R7} + \overline{R7} \cdot Rd7$   
Set if there was carry from the MSB of the result; cleared otherwise.

R (Result) equals Rd after the operation.

### Example:

```

; Add R1:R0 to R3:R2
add r2,r0 ; Add low byte
adc r3,r1 ; Add with carry high byte

```

Words: 1 (2 bytes)

Cycles: 1



## ADD – Add without Carry

### Description:

Adds two registers without the C Flag and places the result in the destination register Rd.

#### Operation:

(i)  $Rd \leftarrow Rd + Rr$

#### Syntax:

(i) ADD Rd,Rr

#### Operands:

$0 \leq d \leq 31, 0 \leq r \leq 31$

#### Program Counter:

$PC \leftarrow PC + 1$

#### 16-bit Opcode:

0000	11rd	dddd	rrrr
------	------	------	------

### Status Register (SREG) and Boolean Formula:

I	T	H	S	V	N	Z	C
-	-	$\leftrightarrow$	$\leftrightarrow$	$\leftrightarrow$	$\leftrightarrow$	$\leftrightarrow$	$\leftrightarrow$

H:  $Rd3 \bullet Rr3 + Rr3 \bullet \overline{Rd3} + \overline{Rd3} \bullet \overline{Rr3}$   
Set if there was a carry from bit 3; cleared otherwise

S:  $N \oplus V$ , For signed tests.

V:  $Rd7 \bullet Rr7 \bullet \overline{R7} + \overline{Rd7} \bullet \overline{Rr7} \bullet R7$   
Set if two's complement overflow resulted from the operation; cleared otherwise.

N: R7  
Set if MSB of the result is set; cleared otherwise.

Z:  $\overline{R7} \bullet \overline{R6} \bullet \overline{R5} \bullet \overline{R4} \bullet \overline{R3} \bullet \overline{R2} \bullet \overline{R1} \bullet \overline{R0}$   
Set if the result is \$00; cleared otherwise.

C:  $Rd7 \bullet Rr7 + Rr7 \bullet \overline{R7} + \overline{R7} \bullet Rd7$   
Set if there was carry from the MSB of the result; cleared otherwise.

R (Result) equals Rd after the operation.

#### Example:

```
add r1,r2 ; Add r2 to r1 (r1=r1+r2)
add r28,r28 ; Add r28 to itself (r28=r28+r28)
```

**Words:** 1 (2 bytes)

**Cycles:** 1

## ADIW – Add Immediate to Word

### Description:

Adds an immediate value (0 - 63) to a register pair and places the result in the register pair. This instruction operates on the upper four register pairs, and is well suited for operations on the pointer registers.

This instruction is not available in all devices. Refer to the device specific instruction set summary.

#### Operation:

(i)  $Rd+1:Rd \leftarrow Rd+1:Rd + K$

#### Syntax:

(i) ADIW Rd+1:Rd,K  $d \in \{24,26,28,30\}, 0 \leq K \leq 63$

#### Operands:

#### Program Counter:

$PC \leftarrow PC + 1$

#### 16-bit Opcode:

1001	0110	KKdd	KKKK
------	------	------	------

### Status Register (SREG) and Boolean Formula:

I	T	H	S	V	N	Z	C
-	-	-	$\Leftrightarrow$	$\Leftrightarrow$	$\Leftrightarrow$	$\Leftrightarrow$	$\Leftrightarrow$

S:  $N \oplus V$ , For signed tests.

V:  $\overline{Rdh7} \bullet R15$   
Set if two's complement overflow resulted from the operation; cleared otherwise.

N: R15  
Set if MSB of the result is set; cleared otherwise.

Z:  $\overline{R15} \bullet \overline{R14} \bullet \overline{R13} \bullet \overline{R12} \bullet \overline{R11} \bullet \overline{R10} \bullet \overline{R9} \bullet \overline{R8} \bullet \overline{R7} \bullet \overline{R6} \bullet \overline{R5} \bullet \overline{R4} \bullet \overline{R3} \bullet \overline{R2} \bullet \overline{R1} \bullet \overline{R0}$   
Set if the result is \$0000; cleared otherwise.

C:  $\overline{R15} \bullet Rdh7$   
Set if there was carry from the MSB of the result; cleared otherwise.

R (Result) equals Rdh:Rdl after the operation (Rdh7-Rdh0 = R15-R8, Rdl7-Rdl0=R7-R0).

### Example:

```
adiw r25:24,1 ; Add 1 to r25:r24
adiw ZH:ZL,63 ; Add 63 to the Z-pointer(r31:r30)
```

Words: 1 (2 bytes)

Cycles: 2

## AND – Logical AND

### Description:

Performs the logical AND between the contents of register Rd and register Rr and places the result in the destination register Rd.

#### Operation:

(i)  $Rd \leftarrow Rd \bullet Rr$

#### Syntax:

(i) AND Rd,Rr

#### Operands:

$0 \leq d \leq 31, 0 \leq r \leq 31$

#### Program Counter:

$PC \leftarrow PC + 1$

#### 16-bit Opcode:

0010	00rd	dddd	rrrr
------	------	------	------

### Status Register (SREG) and Boolean Formula:

I	T	H	S	V	N	Z	C
–	–	–	↔	0	↔	↔	–

S:  $N \oplus V$ , For signed tests.

V: 0  
Cleared

N: R7  
Set if MSB of the result is set; cleared otherwise.

Z:  $\overline{R7} \bullet \overline{R6} \bullet \overline{R5} \bullet \overline{R4} \bullet \overline{R3} \bullet \overline{R2} \bullet \overline{R1} \bullet \overline{R0}$   
Set if the result is \$00; cleared otherwise.

R (Result) equals Rd after the operation.

#### Example:

```
and r2,r3 ; Bitwise and r2 and r3, result in r2
ldi r16,1 ; Set bitmask 0000 0001 in r16
and r2,r16 ; Isolate bit 0 in r2
```

**Words:** 1 (2 bytes)

**Cycles:** 1

## ANDI – Logical AND with Immediate

### Description:

Performs the logical AND between the contents of register Rd and a constant and places the result in the destination register Rd.

#### Operation:

$$(i) \quad Rd \leftarrow Rd \bullet K$$

#### Syntax:

(i) ANDI Rd,K

#### Operands:

$16 \leq d \leq 31, 0 \leq K \leq 255$

#### Program Counter:

$PC \leftarrow PC + 1$

#### 16-bit Opcode:

0111	KKKK	dddd	KKKK
------	------	------	------

### Status Register (SREG) and Boolean Formula:

I	T	H	S	V	N	Z	C
–	–	–	↔	0	↔	↔	–

S:  $N \oplus V$ , For signed tests.

V: 0  
Cleared

N: R7  
Set if MSB of the result is set; cleared otherwise.

Z:  $\overline{R7} \bullet \overline{R6} \bullet \overline{R5} \bullet \overline{R4} \bullet \overline{R3} \bullet \overline{R2} \bullet \overline{R1} \bullet \overline{R0}$   
Set if the result is \$00; cleared otherwise.

R (Result) equals Rd after the operation.

#### Example:

```
andi r17,$0F ; Clear upper nibble of r17
andi r18,$10 ; Isolate bit 4 in r18
andi r19,$AA ; Clear odd bits of r19
```

**Words:** 1 (2 bytes)

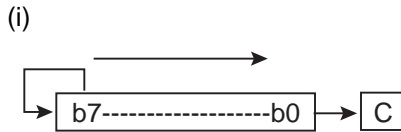
**Cycles:** 1

## ASR – Arithmetic Shift Right

### Description:

Shifts all bits in Rd one place to the right. Bit 7 is held constant. Bit 0 is loaded into the C Flag of the SREG. This operation effectively divides a signed value by two without changing its sign. The Carry Flag can be used to round the result.

### Operation:



(i) **Syntax:** ASR Rd      **Operands:**  $0 \leq d \leq 31$       **Program Counter:**  $PC \leftarrow PC + 1$

### 16-bit Opcode:

1001	010d	dddd	0101
------	------	------	------

### Status Register (SREG) and Boolean Formula:

I	T	H	S	V	N	Z	C
-	-	-	↔	↔	↔	↔	↔

S:  $N \oplus V$ , For signed tests.

V:  $N \oplus C$  (For N and C after the shift)

N: R7  
Set if MSB of the result is set; cleared otherwise.

Z:  $\overline{R7} \bullet \overline{R6} \bullet \overline{R5} \bullet \overline{R4} \bullet \overline{R3} \bullet \overline{R2} \bullet \overline{R1} \bullet \overline{R0}$   
Set if the result is \$00; cleared otherwise.

C: Rd0  
Set if, before the shift, the LSB of Rd was set; cleared otherwise.

R (Result) equals Rd after the operation.

### Example:

```
ldi r16,$10 ; Load decimal 16 into r16
asr r16      ; r16=r16 / 2
ldi r17,$FC ; Load -4 in r17
asr r17      ; r17=r17/2
```

**Words:** 1 (2 bytes)

**Cycles:** 1

## BCLR – Bit Clear in SREG

### Description:

Clears a single Flag in SREG.

#### Operation:

(i)  $SREG(s) \leftarrow 0$

#### Syntax:

(i) BCLR s

#### Operands:

$0 \leq s \leq 7$

#### Program Counter:

$PC \leftarrow PC + 1$

#### 16-bit Opcode:

1001	0100	1sss	1000
------	------	------	------

### Status Register (SREG) and Boolean Formula:

I	T	H	S	V	N	Z	C
↔	↔	↔	↔	↔	↔	↔	↔

I: 0 if s = 7; Unchanged otherwise.

T: 0 if s = 6; Unchanged otherwise.

H: 0 if s = 5; Unchanged otherwise.

S: 0 if s = 4; Unchanged otherwise.

V: 0 if s = 3; Unchanged otherwise.

N: 0 if s = 2; Unchanged otherwise.

Z: 0 if s = 1; Unchanged otherwise.

C: 0 if s = 0; Unchanged otherwise.

#### Example:

```
bclr 0 ; Clear Carry Flag
bclr 7 ; Disable interrupts
```

**Words:** 1 (2 bytes)

**Cycles:** 1

## BLD – Bit Load from the T Flag in SREG to a Bit in Register

### Description:

Copies the T Flag in the SREG (Status Register) to bit b in register Rd.

#### Operation:

(i)  $Rd(b) \leftarrow T$

#### Syntax:

(i) BLD Rd,b

#### Operands:

$0 \leq d \leq 31, 0 \leq b \leq 7$

#### Program Counter:

$PC \leftarrow PC + 1$

#### 16 bit Opcode:

1111	100d	dddd	0bbb
------	------	------	------

### Status Register (SREG) and Boolean Formula:

I	T	H	S	V	N	Z	C
–	–	–	–	–	–	–	–

### Example:

```

; Copy bit
bst r1,2 ; Store bit 2 of r1 in T Flag
bld r0,4 ; Load T Flag into bit 4 of r0
    
```

**Words:** 1 (2 bytes)

**Cycles:** 1

## BRBC – Branch if Bit in SREG is Cleared

### Description:

Conditional relative branch. Tests a single bit in SREG and branches relatively to PC if the bit is cleared. This instruction branches relatively to PC in either direction ( $PC - 63 \leq \text{destination} \leq PC + 64$ ). The parameter  $k$  is the offset from PC and is represented in two's complement form.

### Operation:

- (i) If  $SREG(s) = 0$  then  $PC \leftarrow PC + k + 1$ , else  $PC \leftarrow PC + 1$

### Syntax:

- (i) BRBC  $s,k$

### Operands:

$0 \leq s \leq 7, -64 \leq k \leq +63$

### Program Counter:

$PC \leftarrow PC + k + 1$   
 $PC \leftarrow PC + 1$ , if condition is false

### 16-bit Opcode:

1111	01kk	kkkk	ksss
------	------	------	------

### Status Register (SREG) and Boolean Formula:

I	T	H	S	V	N	Z	C
–	–	–	–	–	–	–	–

### Example:

```

cpi r20,5 ; Compare r20 to the value 5
brbc 1,noteq ; Branch if Zero Flag cleared
...
noteq:nop ; Branch destination (do nothing)

```

**Words:** 1 (2 bytes)

**Cycles:** 1 if condition is false  
 2 if condition is true



## BRBS – Branch if Bit in SREG is Set

### Description:

Conditional relative branch. Tests a single bit in SREG and branches relatively to PC if the bit is set. This instruction branches relatively to PC in either direction ( $PC - 63 \leq \text{destination} \leq PC + 64$ ). The parameter k is the offset from PC and is represented in two's complement form.

### Operation:

- (i) If  $SREG(s) = 1$  then  $PC \leftarrow PC + k + 1$ , else  $PC \leftarrow PC + 1$

### Syntax:

- (i) BRBS s,k

### Operands:

$0 \leq s \leq 7, -64 \leq k \leq +63$

### Program Counter:

$PC \leftarrow PC + k + 1$   
 $PC \leftarrow PC + 1$ , if condition is false

### 16-bit Opcode:

1111	00kk	kkkk	ksss
------	------	------	------

### Status Register (SREG) and Boolean Formula:

I	T	H	S	V	N	Z	C
–	–	–	–	–	–	–	–

### Example:

```
bst  r0,3      ; Load T bit with bit 3 of r0
brbs 6,bitset ; Branch T bit was set
...
bitset: nop    ; Branch destination (do nothing)
```

**Words:** 1 (2 bytes)

**Cycles:** 1 if condition is false  
 2 if condition is true

## BRCC – Branch if Carry Cleared

### Description:

Conditional relative branch. Tests the Carry Flag (C) and branches relatively to PC if C is cleared. This instruction branches relatively to PC in either direction ( $PC - 63 \leq \text{destination} \leq PC + 64$ ). The parameter k is the offset from PC and is represented in two's complement form. (Equivalent to instruction BRBC 0,k).

#### Operation:

- (i) If  $C = 0$  then  $PC \leftarrow PC + k + 1$ , else  $PC \leftarrow PC + 1$

#### Syntax:

- (i) BRCC k

#### Operands:

$-64 \leq k \leq +63$

#### Program Counter:

$PC \leftarrow PC + k + 1$   
 $PC \leftarrow PC + 1$ , if condition is false

#### 16-bit Opcode:

1111	01kk	kkkk	k000
------	------	------	------

### Status Register (SREG) and Boolean Formula:

I	T	H	S	V	N	Z	C
–	–	–	–	–	–	–	–

### Example:

```

add  r22,r23    ; Add r23 to r22
brcc nocarry   ; Branch if carry cleared
...
nocarry: nop    ; Branch destination (do nothing)

```

**Words:** 1 (2 bytes)

**Cycles:** 1 if condition is false  
 2 if condition is true

## BRCS – Branch if Carry Set

### Description:

Conditional relative branch. Tests the Carry Flag (C) and branches relatively to PC if C is set. This instruction branches relatively to PC in either direction ( $PC - 63 \leq \text{destination} \leq PC + 64$ ). The parameter k is the offset from PC and is represented in two's complement form. (Equivalent to instruction BRBS 0,k).

### Operation:

- (i) If  $C = 1$  then  $PC \leftarrow PC + k + 1$ , else  $PC \leftarrow PC + 1$

### Syntax:

- (i) BRCS k

### Operands:

$-64 \leq k \leq +63$

### Program Counter:

$PC \leftarrow PC + k + 1$

$PC \leftarrow PC + 1$ , if condition is false

### 16-bit Opcode:

1111	00kk	kkkk	k000
------	------	------	------

### Status Register (SREG) and Boolean Formula:

I	T	H	S	V	N	Z	C
–	–	–	–	–	–	–	–

### Example:

```

    cpi  r26,$56    ; Compare r26 with $56
    brcs carry     ; Branch if carry set
    ...
    carry: nop      ; Branch destination (do nothing)
  
```

**Words:** 1 (2 bytes)

**Cycles:** 1 if condition is false  
2 if condition is true

## BREAK – Break

---

### Description:

The BREAK instruction is used by the On-chip Debug system, and is normally not used in the application software. When the BREAK instruction is executed, the AVR CPU is set in the Stopped Mode. This gives the On-chip Debugger access to internal resources.

If any Lock bits are set, or either the JTAGEN or OCDEN Fuses are unprogrammed, the CPU will treat the BREAK instruction as a NOP and will not enter the Stopped mode.

This instruction is not available in all devices. Refer to the device specific instruction set summary.

### Operation:

- (i) On-chip Debug system break.

### Syntax:

(i) BREAK

### Operands:

None

### Program Counter:

$PC \leftarrow PC + 1$

### 16-bit Opcode:

1001	0101	1001	1000
------	------	------	------

### Status Register (SREG) and Boolean Formula:

I	T	H	S	V	N	Z	C
–	–	–	–	–	–	–	–

**Words:** 1 (2 bytes)

**Cycles:** 1

## BREQ – Branch if Equal

### Description:

Conditional relative branch. Tests the Zero Flag (Z) and branches relatively to PC if Z is set. If the instruction is executed immediately after any of the instructions CP, CPI, SUB or SUBI, the branch will occur if and only if the unsigned or signed binary number represented in Rd was equal to the unsigned or signed binary number represented in Rr. This instruction branches relatively to PC in either direction ( $PC - 63 \leq \text{destination} \leq PC + 64$ ). The parameter k is the offset from PC and is represented in two's complement form. (Equivalent to instruction BRBS 1,k).

### Operation:

- (i) If  $Rd = Rr$  ( $Z = 1$ ) then  $PC \leftarrow PC + k + 1$ , else  $PC \leftarrow PC + 1$

### Syntax:

- (i) BREQ k

### Operands:

$-64 \leq k \leq +63$

### Program Counter:

$PC \leftarrow PC + k + 1$

$PC \leftarrow PC + 1$ , if condition is false

### 16-bit Opcode:

1111	00kk	kkkk	k001
------	------	------	------

### Status Register (SREG) and Boolean Formula:

I	T	H	S	V	N	Z	C
–	–	–	–	–	–	–	–

### Example:

```

cp    r1,r0    ; Compare registers r1 and r0
breq  equal    ; Branch if registers equal
...
equal: nop     ; Branch destination (do nothing)
    
```

**Words:** 1 (2 bytes)

**Cycles:** 1 if condition is false  
2 if condition is true

## BRGE – Branch if Greater or Equal (Signed)

### Description:

Conditional relative branch. Tests the Signed Flag (S) and branches relatively to PC if S is cleared. If the instruction is executed immediately after any of the instructions CP, CPI, SUB or SUBI, the branch will occur if and only if the signed binary number represented in Rd was greater than or equal to the signed binary number represented in Rr. This instruction branches relatively to PC in either direction ( $PC - 63 \leq \text{destination} \leq PC + 64$ ). The parameter k is the offset from PC and is represented in two's complement form. (Equivalent to instruction BRBC 4,k).

### Operation:

- (i) If  $Rd \geq Rr$  ( $N \oplus V = 0$ ) then  $PC \leftarrow PC + k + 1$ , else  $PC \leftarrow PC + 1$

### Syntax:

- (i) BRGE k

### Operands:

$-64 \leq k \leq +63$

### Program Counter:

$PC \leftarrow PC + k + 1$

$PC \leftarrow PC + 1$ , if condition is false

### 16-bit Opcode:

1111	01kk	kkkk	k100
------	------	------	------

### Status Register (SREG) and Boolean Formula:

I	T	H	S	V	N	Z	C
–	–	–	–	–	–	–	–

### Example:

```

cp    r11,r12    ; Compare registers r11 and r12
brge greateq    ; Branch if r11 ≥ r12 (signed)
...
greateq: nop    ; Branch destination (do nothing)

```

**Words:** 1 (2 bytes)

**Cycles:** 1 if condition is false  
2 if condition is true

## BRHC – Branch if Half Carry Flag is Cleared

### Description:

Conditional relative branch. Tests the Half Carry Flag (H) and branches relatively to PC if H is cleared. This instruction branches relatively to PC in either direction ( $PC - 63 \leq \text{destination} \leq PC + 64$ ). The parameter k is the offset from PC and is represented in two's complement form. (Equivalent to instruction BRBC 5,k).

### Operation:

- (i) If  $H = 0$  then  $PC \leftarrow PC + k + 1$ , else  $PC \leftarrow PC + 1$

### Syntax:

- (i) BRHC k

### Operands:

$-64 \leq k \leq +63$

### Program Counter:

$PC \leftarrow PC + k + 1$

$PC \leftarrow PC + 1$ , if condition is false

### 16-bit Opcode:

1111	01kk	kkkk	k101
------	------	------	------

### Status Register (SREG) and Boolean Formula:

I	T	H	S	V	N	Z	C
–	–	–	–	–	–	–	–

### Example:

```

        brhc hclear      ; Branch if Half Carry Flag cleared
        ...
hclear:  nop            ; Branch destination (do nothing)
    
```

**Words:** 1 (2 bytes)

**Cycles:** 1 if condition is false  
2 if condition is true

## BRHS – Branch if Half Carry Flag is Set

### Description:

Conditional relative branch. Tests the Half Carry Flag (H) and branches relatively to PC if H is set. This instruction branches relatively to PC in either direction ( $PC - 63 \leq \text{destination} \leq PC + 64$ ). The parameter k is the offset from PC and is represented in two's complement form. (Equivalent to instruction BRBS 5,k).

### Operation:

- (i) If  $H = 1$  then  $PC \leftarrow PC + k + 1$ , else  $PC \leftarrow PC + 1$

### Syntax:

- (i) BRHS k

### Operands:

$-64 \leq k \leq +63$

### Program Counter:

$PC \leftarrow PC + k + 1$

$PC \leftarrow PC + 1$ , if condition is false

### 16-bit Opcode:

1111	00kk	kkkk	k101
------	------	------	------

### Status Register (SREG) and Boolean Formula:

I	T	H	S	V	N	Z	C
–	–	–	–	–	–	–	–

### Example:

```

        brhs    hset        ; Branch if Half Carry Flag set
        ...
hset:   nop                ; Branch destination (do nothing)
    
```

**Words:** 1 (2 bytes)

**Cycles:** 1 if condition is false  
2 if condition is true



## BRID – Branch if Global Interrupt is Disabled

### Description:

Conditional relative branch. Tests the Global Interrupt Flag (I) and branches relatively to PC if I is cleared. This instruction branches relatively to PC in either direction ( $PC - 63 \leq \text{destination} \leq PC + 64$ ). The parameter k is the offset from PC and is represented in two's complement form. (Equivalent to instruction BRBC 7,k).

### Operation:

- (i) If I = 0 then  $PC \leftarrow PC + k + 1$ , else  $PC \leftarrow PC + 1$

### Syntax:

(i) BRID k

### Operands:

$-64 \leq k \leq +63$

### Program Counter:

$PC \leftarrow PC + k + 1$

$PC \leftarrow PC + 1$ , if condition is false

### 16-bit Opcode:

1111	01kk	kkkk	k111
------	------	------	------

### Status Register (SREG) and Boolean Formula:

I	T	H	S	V	N	Z	C
–	–	–	–	–	–	–	–

### Example:

```

brid intdis    ; Branch if interrupt disabled
...
intdis:  nop    ; Branch destination (do nothing)
    
```

**Words:** 1 (2 bytes)

**Cycles:** 1 if condition is false

2 if condition is true

## BRIE – Branch if Global Interrupt is Enabled

### Description:

Conditional relative branch. Tests the Global Interrupt Flag (I) and branches relatively to PC if I is set. This instruction branches relatively to PC in either direction ( $PC - 63 \leq \text{destination} \leq PC + 64$ ). The parameter k is the offset from PC and is represented in two's complement form. (Equivalent to instruction BRBS 7,k).

#### Operation:

(i) If I = 1 then  $PC \leftarrow PC + k + 1$ , else  $PC \leftarrow PC + 1$

#### Syntax:

(i) BRIE k

#### Operands:

$-64 \leq k \leq +63$

#### Program Counter:

$PC \leftarrow PC + k + 1$

$PC \leftarrow PC + 1$ , if condition is false

#### 16-bit Opcode:

1111	00kk	kkkk	k111
------	------	------	------

### Status Register (SREG) and Boolean Formula:

I	T	H	S	V	N	Z	C
-	-	-	-	-	-	-	-

### Example:

```

        brie   inten      ; Branch if interrupt enabled
        ...
inten:   nop           ; Branch destination (do nothing)
    
```

**Words:** 1 (2 bytes)

**Cycles:** 1 if condition is false  
2 if condition is true

## BRLO – Branch if Lower (Unsigned)

### Description:

Conditional relative branch. Tests the Carry Flag (C) and branches relatively to PC if C is set. If the instruction is executed immediately after any of the instructions CP, CPI, SUB or SUBI, the branch will occur if and only if the unsigned binary number represented in Rd was smaller than the unsigned binary number represented in Rr. This instruction branches relatively to PC in either direction ( $PC - 63 \leq \text{destination} \leq PC + 64$ ). The parameter k is the offset from PC and is represented in two's complement form. (Equivalent to instruction BRBS 0,k).

### Operation:

- (i) If  $Rd < Rr$  ( $C = 1$ ) then  $PC \leftarrow PC + k + 1$ , else  $PC \leftarrow PC + 1$

### Syntax:

- (i) BRLO k

### Operands:

$-64 \leq k \leq +63$

### Program Counter:

$PC \leftarrow PC + k + 1$

$PC \leftarrow PC + 1$ , if condition is false

### 16-bit Opcode:

1111	00kk	kkkk	k000
------	------	------	------

### Status Register (SREG) and Boolean Formula:

I	T	H	S	V	N	Z	C
-	-	-	-	-	-	-	-

### Example:

```

eor   r19,r19    ; Clear r19
loop: inc   r19    ; Increase r19
...
cpi   r19,$10    ; Compare r19 with $10
brlo  loop       ; Branch if r19 < $10 (unsigned)
nop                                ; Exit from loop (do nothing)
    
```

**Words:** 1 (2 bytes)

**Cycles:** 1 if condition is false

2 if condition is true

## BRLT – Branch if Less Than (Signed)

### Description:

Conditional relative branch. Tests the Signed Flag (S) and branches relatively to PC if S is set. If the instruction is executed immediately after any of the instructions CP, CPI, SUB or SUBI, the branch will occur if and only if the signed binary number represented in Rd was less than the signed binary number represented in Rr. This instruction branches relatively to PC in either direction ( $PC - 63 \leq \text{destination} \leq PC + 64$ ). The parameter k is the offset from PC and is represented in two's complement form. (Equivalent to instruction BRBS 4,k).

### Operation:

- (i) If  $Rd < Rr$  ( $N \oplus V = 1$ ) then  $PC \leftarrow PC + k + 1$ , else  $PC \leftarrow PC + 1$

### Syntax:

- (i) BRLT k

### Operands:

$-64 \leq k \leq +63$

### Program Counter:

$PC \leftarrow PC + k + 1$

$PC \leftarrow PC + 1$ , if condition is false

### 16-bit Opcode:

1111	00kk	kkkk	k100
------	------	------	------

### Status Register (SREG) and Boolean Formula:

I	T	H	S	V	N	Z	C
-	-	-	-	-	-	-	-

### Example:

```

cp    r16,r1    ; Compare r16 to r1
brlt less      ; Branch if r16 < r1 (signed)
...
less: nop      ; Branch destination (do nothing)

```

**Words:** 1 (2 bytes)

**Cycles:** 1 if condition is false  
2 if condition is true

## BRMI – Branch if Minus

### Description:

Conditional relative branch. Tests the Negative Flag (N) and branches relatively to PC if N is set. This instruction branches relatively to PC in either direction ( $PC - 63 \leq \text{destination} \leq PC + 64$ ). The parameter k is the offset from PC and is represented in two's complement form. (Equivalent to instruction BRBS 2,k).

### Operation:

- (i) If N = 1 then  $PC \leftarrow PC + k + 1$ , else  $PC \leftarrow PC + 1$

### Syntax:

- (i) BRMI k

### Operands:

$-64 \leq k \leq +63$

### Program Counter:

$PC \leftarrow PC + k + 1$

$PC \leftarrow PC + 1$ , if condition is false

### 16-bit Opcode:

1111	00kk	kkkk	k010
------	------	------	------

### Status Register (SREG) and Boolean Formula:

I	T	H	S	V	N	Z	C
–	–	–	–	–	–	–	–

### Example:

```

subi    r18,4      ; Subtract 4 from r18
brmi    negative   ; Branch if result negative
...
negative: nop      ; Branch destination (do nothing)
    
```

**Words:** 1 (2 bytes)

**Cycles:** 1 if condition is false

2 if condition is true

## BRNE – Branch if Not Equal

### Description:

Conditional relative branch. Tests the Zero Flag (Z) and branches relatively to PC if Z is cleared. If the instruction is executed immediately after any of the instructions CP, CPI, SUB or SUBI, the branch will occur if and only if the unsigned or signed binary number represented in Rd was not equal to the unsigned or signed binary number represented in Rr. This instruction branches relatively to PC in either direction ( $PC - 63 \leq \text{destination} \leq PC + 64$ ). The parameter k is the offset from PC and is represented in two's complement form. (Equivalent to instruction BRBC 1,k).

### Operation:

- (i) If  $Rd \neq Rr$  ( $Z = 0$ ) then  $PC \leftarrow PC + k + 1$ , else  $PC \leftarrow PC + 1$

### Syntax:

- (i) BRNE k

### Operands:

$-64 \leq k \leq +63$

### Program Counter:

$PC \leftarrow PC + k + 1$

$PC \leftarrow PC + 1$ , if condition is false

### 16-bit Opcode:

1111	01kk	kkkk	k001
------	------	------	------

### Status Register (SREG) and Boolean Formula:

I	T	H	S	V	N	Z	C
–	–	–	–	–	–	–	–

### Example:

```

eor    r27,r27    ; Clear r27
loop:  inc    r27    ; Increase r27
...
cpi    r27,5     ; Compare r27 to 5
brne   loop     ; Branch if r27<>5
nop                    ; Loop exit (do nothing)

```

**Words:** 1 (2 bytes)

**Cycles:** 1 if condition is false

2 if condition is true

## BRPL – Branch if Plus

### Description:

Conditional relative branch. Tests the Negative Flag (N) and branches relatively to PC if N is cleared. This instruction branches relatively to PC in either direction ( $PC - 63 \leq \text{destination} \leq PC + 64$ ). The parameter k is the offset from PC and is represented in two's complement form. (Equivalent to instruction BRBC 2,k).

### Operation:

- (i) If  $N = 0$  then  $PC \leftarrow PC + k + 1$ , else  $PC \leftarrow PC + 1$

### Syntax:

- (i) BRPL k

### Operands:

$-64 \leq k \leq +63$

### Program Counter:

$PC \leftarrow PC + k + 1$

$PC \leftarrow PC + 1$ , if condition is false

### 16-bit Opcode:

1111	01kk	kkkk	k010
------	------	------	------

### Status Register (SREG) and Boolean Formula:

I	T	H	S	V	N	Z	C
-	-	-	-	-	-	-	-

### Example:

```

subi r26,$50      ; Subtract $50 from r26
brpl positive    ; Branch if r26 positive
...
positive:        nop      ; Branch destination (do nothing)
    
```

**Words:** 1 (2 bytes)

**Cycles:** 1 if condition is false  
2 if condition is true

## BRSR – Branch if Same or Higher (Unsigned)

### Description:

Conditional relative branch. Tests the Carry Flag (C) and branches relatively to PC if C is cleared. If the instruction is executed immediately after execution of any of the instructions CP, CPI, SUB or SUBI the branch will occur if and only if the unsigned binary number represented in Rd was greater than or equal to the unsigned binary number represented in Rr. This instruction branches relatively to PC in either direction ( $PC - 63 \leq \text{destination} \leq PC + 64$ ). The parameter k is the offset from PC and is represented in two's complement form. (Equivalent to instruction BRBC 0,k).

### Operation:

- (i) If  $Rd \geq Rr$  ( $C = 0$ ) then  $PC \leftarrow PC + k + 1$ , else  $PC \leftarrow PC + 1$

### Syntax:

(i) BRSR k

### Operands:

$-64 \leq k \leq +63$

### Program Counter:

$PC \leftarrow PC + k + 1$

$PC \leftarrow PC + 1$ , if condition is false

### 16-bit Opcode:

1111	01kk	kkkk	k000
------	------	------	------

### Status Register (SREG) and Boolean Formula:

I	T	H	S	V	N	Z	C
–	–	–	–	–	–	–	–

### Example:

```

subi r19,4      ; Subtract 4 from r19
brsh highsm    ; Branch if r19 >= 4 (unsigned)
...
highsm:        nop      ; Branch destination (do nothing)

```

**Words:** 1 (2 bytes)

**Cycles:** 1 if condition is false  
2 if condition is true



## BRTC – Branch if the T Flag is Cleared

### Description:

Conditional relative branch. Tests the T Flag and branches relatively to PC if T is cleared. This instruction branches relatively to PC in either direction ( $PC - 63 \leq \text{destination} \leq PC + 64$ ). The parameter k is the offset from PC and is represented in two's complement form. (Equivalent to instruction BRBC 6,k).

### Operation:

- (i) If  $T = 0$  then  $PC \leftarrow PC + k + 1$ , else  $PC \leftarrow PC + 1$

### Syntax:

- (i) BRTC k

### Operands:

$-64 \leq k \leq +63$

### Program Counter:

$PC \leftarrow PC + k + 1$

$PC \leftarrow PC + 1$ , if condition is false

### 16-bit Opcode:

1111	01kk	kkkk	k110
------	------	------	------

### Status Register (SREG) and Boolean Formula:

I	T	H	S	V	N	Z	C
–	–	–	–	–	–	–	–

### Example:

```

bst    r3,5    ; Store bit 5 of r3 in T Flag
brtc  tclear  ; Branch if this bit was cleared
...
tclear:  nop    ; Branch destination (do nothing)
    
```

**Words:** 1 (2 bytes)

**Cycles:** 1 if condition is false

2 if condition is true

## BRTS – Branch if the T Flag is Set

### Description:

Conditional relative branch. Tests the T Flag and branches relatively to PC if T is set. This instruction branches relatively to PC in either direction ( $PC - 63 \leq \text{destination} \leq PC + 64$ ). The parameter k is the offset from PC and is represented in two's complement form. (Equivalent to instruction BRBS 6,k).

### Operation:

- (i) If  $T = 1$  then  $PC \leftarrow PC + k + 1$ , else  $PC \leftarrow PC + 1$

### Syntax:

- (i) BRTS k

### Operands:

$-64 \leq k \leq +63$

### Program Counter:

$PC \leftarrow PC + k + 1$

$PC \leftarrow PC + 1$ , if condition is false

### 16-bit Opcode:

1111	00kk	kkkk	k110
------	------	------	------

### Status Register (SREG) and Boolean Formula:

I	T	H	S	V	N	Z	C
–	–	–	–	–	–	–	–

### Example:

```

bst  r3,5      ; Store bit 5 of r3 in T Flag
brts tset     ; Branch if this bit was set
...
tset:  nop      ; Branch destination (do nothing)

```

**Words:** 1 (2 bytes)

**Cycles:** 1 if condition is false  
2 if condition is true

## BRVC – Branch if Overflow Cleared

### Description:

Conditional relative branch. Tests the Overflow Flag (V) and branches relatively to PC if V is cleared. This instruction branches relatively to PC in either direction ( $PC - 63 \leq \text{destination} \leq PC + 64$ ). The parameter k is the offset from PC and is represented in two's complement form. (Equivalent to instruction BRBC 3,k).

### Operation:

(i) If  $V = 0$  then  $PC \leftarrow PC + k + 1$ , else  $PC \leftarrow PC + 1$

### Syntax:

(i) BRVC k

### Operands:

$-64 \leq k \leq +63$

### Program Counter:

$PC \leftarrow PC + k + 1$

$PC \leftarrow PC + 1$ , if condition is false

### 16-bit Opcode:

1111	01kk	kkkk	k011
------	------	------	------

### Status Register (SREG) and Boolean Formula:

I	T	H	S	V	N	Z	C
-	-	-	-	-	-	-	-

### Example:

```

add r3,r4      ; Add r4 to r3
brvc noover    ; Branch if no overflow
...
noover:  nop    ; Branch destination (do nothing)
    
```

**Words:** 1 (2 bytes)

**Cycles:** 1 if condition is false  
2 if condition is true

## BRVS – Branch if Overflow Set

### Description:

Conditional relative branch. Tests the Overflow Flag (V) and branches relatively to PC if V is set. This instruction branches relatively to PC in either direction ( $PC - 63 \leq \text{destination} \leq PC + 64$ ). The parameter k is the offset from PC and is represented in two's complement form. (Equivalent to instruction BRBS 3,k).

### Operation:

- (i) If  $V = 1$  then  $PC \leftarrow PC + k + 1$ , else  $PC \leftarrow PC + 1$

### Syntax:

- (i) BRVS k

### Operands:

$-64 \leq k \leq +63$

### Program Counter:

$PC \leftarrow PC + k + 1$

$PC \leftarrow PC + 1$ , if condition is false

### 16-bit Opcode:

1111	00kk	kkkk	k011
------	------	------	------

### Status Register (SREG) and Boolean Formula:

I	T	H	S	V	N	Z	C
–	–	–	–	–	–	–	–

### Example:

```

add    r3,r4    ; Add r4 to r3
brvs   overfl   ; Branch if overflow
...
overfl: nop     ; Branch destination (do nothing)

```

**Words:** 1 (2 bytes)

**Cycles:** 1 if condition is false  
2 if condition is true

## BSET – Bit Set in SREG

### Description:

Sets a single Flag or bit in SREG.

#### Operation:

(i)  $SREG(s) \leftarrow 1$

#### Syntax:

(i) BSET s

#### Operands:

$0 \leq s \leq 7$

#### Program Counter:

$PC \leftarrow PC + 1$

#### 16-bit Opcode:

1001	0100	0sss	1000
------	------	------	------

### Status Register (SREG) and Boolean Formula:

I	T	H	S	V	N	Z	C
↔	↔	↔	↔	↔	↔	↔	↔

I: 1 if s = 7; Unchanged otherwise.

T: 1 if s = 6; Unchanged otherwise.

H: 1 if s = 5; Unchanged otherwise.

S: 1 if s = 4; Unchanged otherwise.

V: 1 if s = 3; Unchanged otherwise.

N: 1 if s = 2; Unchanged otherwise.

Z: 1 if s = 1; Unchanged otherwise.

C: 1 if s = 0; Unchanged otherwise.

#### Example:

```
bset 6 ; Set T Flag
bset 7 ; Enable interrupt
```

**Words:** 1 (2 bytes)

**Cycles:** 1

## BST – Bit Store from Bit in Register to T Flag in SREG

### Description:

Stores bit b from Rd to the T Flag in SREG (Status Register).

#### Operation:

(i)  $T \leftarrow Rd(b)$

#### Syntax:

(i) BST Rd,b

#### Operands:

$0 \leq d \leq 31, 0 \leq b \leq 7$

#### Program Counter:

$PC \leftarrow PC + 1$

#### 16-bit Opcode:

1111	101d	dddd	0bbb
------	------	------	------

### Status Register (SREG) and Boolean Formula:

I	T	H	S	V	N	Z	C
-	$\Leftrightarrow$	-	-	-	-	-	-

T: 0 if bit b in Rd is cleared. Set to 1 otherwise.

### Example:

```

; Copy bit
bst    r1,2 ; Store bit 2 of r1 in T Flag
bld    r0,4 ; Load T into bit 4 of r0
    
```

**Words:** 1 (2 bytes)

**Cycles:** 1

## CALL – Long Call to a Subroutine

### Description:

Calls to a subroutine within the entire Program memory. The return address (to the instruction after the CALL) will be stored onto the Stack. (See also RCALL). The Stack Pointer uses a post-decrement scheme during CALL.

This instruction is not available in all devices. Refer to the device specific instruction set summary.

### Operation:

- (i) PC ← k                      Devices with 16 bits PC, 128K bytes Program memory maximum.
- (ii) PC ← k                     Devices with 22 bits PC, 8M bytes Program memory maximum.

	Syntax:	Operands:	Program Counter	Stack:
(i)	CALL k	$0 \leq k < 64K$	PC ← k	STACK ← PC+2 SP ← SP-2, (2 bytes, 16 bits)
(ii)	CALL k	$0 \leq k < 4M$	PC ← k	STACK ← PC+2 SP ← SP-3 (3 bytes, 22 bits)

### 32-bit Opcode:

1001	010k	kkkk	111k
kkkk	kkkk	kkkk	kkkk

### Status Register (SREG) and Boolean Formula:

I	T	H	S	V	N	Z	C
–	–	–	–	–	–	–	–

### Example:

```

mov    r16,r0      ; Copy r0 to r16
call   check      ; Call subroutine
nop                    ; Continue (do nothing)
...
check: cpi    r16,$42 ; Check if r16 has a special value
      breq   error   ; Branch if equal
      ret                    ; Return from subroutine
...
error: rjmp   error   ; Infinite loop
    
```

**Words :** 2 (4 bytes)

**Cycles :** 4, devices with 16 bit PC  
5, devices with 22 bit PC

**Cycles XMEGA:** 3, devices with 16 bit PC  
4, devices with 22 bit PC

## CBI – Clear Bit in I/O Register

---

### Description:

Clears a specified bit in an I/O Register. This instruction operates on the lower 32 I/O Registers – addresses 0-31.

#### Operation:

(i)  $I/O(A,b) \leftarrow 0$

#### Syntax:

(i) CBI A,b

#### Operands:

$0 \leq A \leq 31, 0 \leq b \leq 7$

#### Program Counter:

$PC \leftarrow PC + 1$

#### 16-bit Opcode:

1001	1000	AAAA	Abbb
------	------	------	------

### Status Register (SREG) and Boolean Formula:

I	T	H	S	V	N	Z	C
–	–	–	–	–	–	–	–

### Example:

```
cbi    $12,7    ; Clear bit 7 in Port D
```

**Words** : 1 (2 bytes)

**Cycles** : 2

**Cycles XMEGA:** 1

**Cycles ATtiny10:** 1



## CBR – Clear Bits in Register

### Description:

Clears the specified bits in register Rd. Performs the logical AND between the contents of register Rd and the complement of the constant mask K. The result will be placed in register Rd.

#### Operation:

$$(i) \quad Rd \leftarrow Rd \bullet (\$FF - K)$$

#### Syntax:

(i) CBR Rd,K

#### Operands:

$16 \leq d \leq 31, 0 \leq K \leq 255$

#### Program Counter:

$PC \leftarrow PC + 1$

**16-bit Opcode:** (see ANDI with K complemented)

### Status Register (SREG) and Boolean Formula:

I	T	H	S	V	N	Z	C
-	-	-	↔	0	↔	↔	-

S:  $N \oplus V$ , For signed tests.

V: 0  
Cleared

N: R7  
Set if MSB of the result is set; cleared otherwise.

Z:  $\overline{R7} \bullet \overline{R6} \bullet \overline{R5} \bullet \overline{R4} \bullet \overline{R3} \bullet \overline{R2} \bullet \overline{R1} \bullet \overline{R0}$   
Set if the result is \$00; cleared otherwise.

R (Result) equals Rd after the operation.

### Example:

```
cbr    r16,$F0    ; Clear upper nibble of r16
cbr    r18,1      ; Clear bit 0 in r18
```

**Words:** 1 (2 bytes)

**Cycles:** 1

## CLC – Clear Carry Flag

---

### Description:

Clears the Carry Flag (C) in SREG (Status Register).

#### Operation:

(i)  $C \leftarrow 0$

#### Syntax:

(i) CLC

#### Operands:

None

#### Program Counter:

$PC \leftarrow PC + 1$

#### 16-bit Opcode:

1001	0100	1000	1000
------	------	------	------

### Status Register (SREG) and Boolean Formula:

I	T	H	S	V	N	Z	C
-	-	-	-	-	-	-	0

C: 0  
Carry Flag cleared

### Example:

```
add r0,r0 ; Add r0 to itself
clc      ; Clear Carry Flag
```

**Words:** 1 (2 bytes)

**Cycles:** 1

## CLH – Clear Half Carry Flag

### Description:

Clears the Half Carry Flag (H) in SREG (Status Register).

#### Operation:

(i)  $H \leftarrow 0$

#### Syntax:

(i) CLH

#### Operands:

None

#### Program Counter:

$PC \leftarrow PC + 1$

#### 16-bit Opcode:

1001	0100	1101	1000
------	------	------	------

### Status Register (SREG) and Boolean Formula:

I	T	H	S	V	N	Z	C
-	-	0	-	-	-	-	-

H: 0  
Half Carry Flag cleared

### Example:

```
clh ; Clear the Half Carry Flag
```

**Words:** 1 (2 bytes)

**Cycles:** 1

## CLI – Clear Global Interrupt Flag

---

### Description:

Clears the Global Interrupt Flag (I) in SREG (Status Register). The interrupts will be immediately disabled. No interrupt will be executed after the CLI instruction, even if it occurs simultaneously with the CLI instruction.

#### Operation:

(i)  $I \leftarrow 0$

#### Syntax:

(i) CLI

#### Operands:

None

#### Program Counter:

$PC \leftarrow PC + 1$

#### 16-bit Opcode:

1001	0100	1111	1000
------	------	------	------

### Status Register (SREG) and Boolean Formula:

I	T	H	S	V	N	Z	C
0	-	-	-	-	-	-	-

I: 0  
Global Interrupt Flag cleared

### Example:

```
in    temp, SREG ; Store SREG value (temp must be defined by user)
cli           ; Disable interrupts during timed sequence
sbi    EECR, EEMWE ; Start EEPROM write
sbi    EECR, EEWE
out    SREG, temp ; Restore SREG value (I-Flag)
```

**Words:** 1 (2 bytes)

**Cycles:** 1

## CLN – Clear Negative Flag

---

### Description:

Clears the Negative Flag (N) in SREG (Status Register).

#### Operation:

(i)  $N \leftarrow 0$

#### Syntax:

(i) CLN

#### Operands:

None

#### Program Counter:

$PC \leftarrow PC + 1$

#### 16-bit Opcode:

1001	0100	1010	1000
------	------	------	------

### Status Register (SREG) and Boolean Formula:

I	T	H	S	V	N	Z	C
-	-	-	-	-	0	-	-

N: 0  
Negative Flag cleared

### Example:

```
add    r2,r3    ; Add r3 to r2
cln    ; Clear Negative Flag
```

**Words:** 1 (2 bytes)

**Cycles:** 1

## CLR – Clear Register

---

### Description:

Clears a register. This instruction performs an Exclusive OR between a register and itself. This will clear all bits in the register.

#### Operation:

(i)  $Rd \leftarrow Rd \oplus Rd$

#### Syntax:

(i) CLR Rd

#### Operands:

$0 \leq d \leq 31$

#### Program Counter:

$PC \leftarrow PC + 1$

#### 16-bit Opcode: (see EOR Rd,Rd)

0010	01dd	dddd	dddd
------	------	------	------

### Status Register (SREG) and Boolean Formula:

I	T	H	S	V	N	Z	C
-	-	-	0	0	0	1	-

S: 0  
Cleared

V: 0  
Cleared

N: 0  
Cleared

Z: 1  
Set

R (Result) equals Rd after the operation.

### Example:

```

clr   r18      ; clear r18
loop: inc  r18      ; increase r18
      ...
      cpi  r18,$50 ; Compare r18 to $50
      brne loop
    
```

**Words:** 1 (2 bytes)

**Cycles:** 1

## CLS – Clear Signed Flag

---

### Description:

Clears the Signed Flag (S) in SREG (Status Register).

#### Operation:

(i)  $S \leftarrow 0$

#### Syntax:

(i) CLS

#### Operands:

None

#### Program Counter:

$PC \leftarrow PC + 1$

#### 16-bit Opcode:

1001	0100	1100	1000
------	------	------	------

### Status Register (SREG) and Boolean Formula:

I	T	H	S	V	N	Z	C
-	-	-	0	-	-	-	-

S: 0  
Signed Flag cleared

### Example:

```
add r2,r3 ; Add r3 to r2
cls      ; Clear Signed Flag
```

**Words:** 1 (2 bytes)

**Cycles:** 1

## CLT – Clear T Flag

---

### Description:

Clears the T Flag in SREG (Status Register).

#### Operation:

(i)  $T \leftarrow 0$

#### Syntax:

(i) CLT

#### Operands:

None

#### Program Counter:

$PC \leftarrow PC + 1$

#### 16-bit Opcode:

1001	0100	1110	1000
------	------	------	------

### Status Register (SREG) and Boolean Formula:

I	T	H	S	V	N	Z	C
-	0	-	-	-	-	-	-

T: 0  
T Flag cleared

### Example:

```
clt ; Clear T Flag
```

**Words:** 1 (2 bytes)

**Cycles:** 1



## CLV – Clear Overflow Flag

### Description:

Clears the Overflow Flag (V) in SREG (Status Register).

#### Operation:

(i)  $V \leftarrow 0$

#### Syntax:

(i) CLV

#### Operands:

None

#### Program Counter:

$PC \leftarrow PC + 1$

#### 16-bit Opcode:

1001	0100	1011	1000
------	------	------	------

### Status Register (SREG) and Boolean Formula:

I	T	H	S	V	N	Z	C
-	-	-	-	0	-	-	-

V: 0  
Overflow Flag cleared

### Example:

```
add    r2,r3    ; Add r3 to r2
clv                    ; Clear Overflow Flag
```

**Words:** 1 (2 bytes)

**Cycles:** 1

## CLZ – Clear Zero Flag

---

### Description:

Clears the Zero Flag (Z) in SREG (Status Register).

#### Operation:

(i)  $Z \leftarrow 0$

#### Syntax:

(i) CLZ

#### Operands:

None

#### Program Counter:

$PC \leftarrow PC + 1$

#### 16-bit Opcode:

1001	0100	1001	1000
------	------	------	------

### Status Register (SREG) and Boolean Formula:

I	T	H	S	V	N	Z	C
-	-	-	-	-	-	0	-

Z: 0  
Zero Flag cleared

### Example:

```
add    r2,r3    ; Add r3 to r2
clz    ; Clear zero
```

**Words:** 1 (2 bytes)

**Cycles:** 1

## COM – One’s Complement

### Description:

This instruction performs a One’s Complement of register Rd.

#### Operation:

(i)  $Rd \leftarrow \$FF - Rd$

#### Syntax:

(i) COM Rd

#### Operands:

$0 \leq d \leq 31$

#### Program Counter:

$PC \leftarrow PC + 1$

#### 16-bit Opcode:

1001	010d	dddd	0000
------	------	------	------

### Status Register (SREG) and Boolean Formula:

I	T	H	S	V	N	Z	C
-	-	-	$\leftrightarrow$	0	$\leftrightarrow$	$\leftrightarrow$	1

S:  $N \oplus V$   
For signed tests.

V: 0  
Cleared.

N: R7  
Set if MSB of the result is set; cleared otherwise.

Z:  $\overline{R7} \cdot \overline{R6} \cdot \overline{R5} \cdot \overline{R4} \cdot \overline{R3} \cdot \overline{R2} \cdot \overline{R1} \cdot \overline{R0}$   
Set if the result is \$00; Cleared otherwise.

C: 1  
Set.

R (Result) equals Rd after the operation.

### Example:

```

com    r4      ; Take one's complement of r4
breq   zero    ; Branch if zero
...
zero:  nop     ; Branch destination (do nothing)
    
```

**Words:** 1 (2 bytes)

**Cycles:** 1

## CP – Compare

### Description:

This instruction performs a compare between two registers Rd and Rr. None of the registers are changed. All conditional branches can be used after this instruction.

#### Operation:

(i) Rd - Rr

#### Syntax:

(i) CP Rd,Rr

#### Operands:

$0 \leq d \leq 31, 0 \leq r \leq 31$

#### Program Counter:

$PC \leftarrow PC + 1$

#### 16-bit Opcode:

0001	01rd	dddd	rrrr
------	------	------	------

### Status Register (SREG) and Boolean Formula:

I	T	H	S	V	N	Z	C
-	-	↔	↔	↔	↔	↔	↔

H:  $\overline{Rd3} \bullet Rr3 + Rr3 \bullet R3 + R3 \bullet \overline{Rd3}$   
Set if there was a borrow from bit 3; cleared otherwise

S:  $N \oplus V$ , For signed tests.

V:  $Rd7 \bullet \overline{Rr7} \bullet \overline{R7} + \overline{Rd7} \bullet Rr7 \bullet R7$   
Set if two's complement overflow resulted from the operation; cleared otherwise.

N: R7  
Set if MSB of the result is set; cleared otherwise.

Z:  $\overline{R7} \bullet \overline{R6} \bullet \overline{R5} \bullet \overline{R4} \bullet \overline{R3} \bullet \overline{R2} \bullet \overline{R1} \bullet \overline{R0}$   
Set if the result is \$00; cleared otherwise.

C:  $\overline{Rd7} \bullet Rr7 + Rr7 \bullet R7 + R7 \bullet \overline{Rd7}$   
Set if the absolute value of the contents of Rr is larger than the absolute value of Rd; cleared otherwise.

R (Result) after the operation.

### Example:

```

cp    r4,r19    ; Compare r4 with r19
brne noteq     ; Branch if r4 <> r19
...
noteq: nop     ; Branch destination (do nothing)

```

**Words:** 1 (2 bytes)

**Cycles:** 1

## CPC – Compare with Carry

### Description:

This instruction performs a compare between two registers Rd and Rr and also takes into account the previous carry. None of the registers are changed. All conditional branches can be used after this instruction.

#### Operation:

(i)  $Rd - Rr - C$

#### Syntax:

(i) CPC Rd,Rr

#### Operands:

$0 \leq d \leq 31, 0 \leq r \leq 31$

#### Program Counter:

$PC \leftarrow PC + 1$

#### 16-bit Opcode:

0000	01rd	dddd	rrrr
------	------	------	------

### Status Register (SREG) and Boolean Formula:

I	T	H	S	V	N	Z	C
-	-	↔	↔	↔	↔	↔	↔

H:  $\overline{Rd3} \bullet Rr3 + Rr3 \bullet R3 + R3 \bullet \overline{Rd3}$   
Set if there was a borrow from bit 3; cleared otherwise

S:  $N \oplus V$ , For signed tests.

V:  $Rd7 \bullet \overline{Rr7} \bullet \overline{R7} + \overline{Rd7} \bullet Rr7 \bullet R7$   
Set if two's complement overflow resulted from the operation; cleared otherwise.

N: R7  
Set if MSB of the result is set; cleared otherwise.

Z:  $\overline{R7} \bullet \overline{R6} \bullet \overline{R5} \bullet \overline{R4} \bullet \overline{R3} \bullet \overline{R2} \bullet \overline{R1} \bullet \overline{R0} \bullet Z$   
Previous value remains unchanged when the result is zero; cleared otherwise.

C:  $\overline{Rd7} \bullet Rr7 + Rr7 \bullet R7 + R7 \bullet \overline{Rd7}$   
Set if the absolute value of the contents of Rr plus previous carry is larger than the absolute value of Rd; cleared otherwise.

R (Result) after the operation.

#### Example:

```

                                ; Compare r3:r2 with r1:r0
cp      r2,r0                    ; Compare low byte
cpc     r3,r1                    ; Compare high byte
brne   noteq                    ; Branch if not equal
...
noteq: nop                      ; Branch destination (do nothing)
    
```



**Words:** 1 (2 bytes)

**Cycles:** 1

## CPI – Compare with Immediate

### Description:

This instruction performs a compare between register Rd and a constant. The register is not changed. All conditional branches can be used after this instruction.

#### Operation:

(i) Rd - K

#### Syntax:

(i) CPI Rd,K

#### Operands:

$16 \leq d \leq 31, 0 \leq K \leq 255$

#### Program Counter:

$PC \leftarrow PC + 1$

#### 16-bit Opcode:

0011	KKKK	dddd	KKKK
------	------	------	------

### Status Register (SREG) and Boolean Formula:

I	T	H	S	V	N	Z	C
-	-	↔	↔	↔	↔	↔	↔

H:  $\overline{Rd3} \bullet K3 + K3 \bullet R3 + R3 \bullet \overline{Rd3}$   
Set if there was a borrow from bit 3; cleared otherwise

S:  $N \oplus V$ , For signed tests.

V:  $Rd7 \bullet \overline{K7} \bullet \overline{R7} + \overline{Rd7} \bullet K7 \bullet R7$   
Set if two's complement overflow resulted from the operation; cleared otherwise.

N: R7  
Set if MSB of the result is set; cleared otherwise.

Z:  $\overline{R7} \bullet \overline{R6} \bullet \overline{R5} \bullet \overline{R4} \bullet \overline{R3} \bullet \overline{R2} \bullet \overline{R1} \bullet \overline{R0}$   
Set if the result is \$00; cleared otherwise.

C:  $\overline{Rd7} \bullet K7 + K7 \bullet R7 + R7 \bullet \overline{Rd7}$   
Set if the absolute value of K is larger than the absolute value of Rd; cleared otherwise.

R (Result) after the operation.

### Example:

```

    cpi    r19,3    ; Compare r19 with 3
    brne  error    ; Branch if r19<>3
    ...
error:    nop      ; Branch destination (do nothing)
    
```

**Words:** 1 (2 bytes)

**Cycles:** 1

## CPSE – Compare Skip if Equal

### Description:

This instruction performs a compare between two registers Rd and Rr, and skips the next instruction if Rd = Rr.

#### Operation:

- (i) If Rd = Rr then PC ← PC + 2 (or 3) else PC ← PC + 1

#### Syntax:

- (i) CPSE Rd,Rr

#### Operands:

$0 \leq d \leq 31, 0 \leq r \leq 31$

#### Program Counter:

PC ← PC + 1, Condition false - no skip  
 PC ← PC + 2, Skip a one word instruction  
 PC ← PC + 3, Skip a two word instruction

#### 16-bit Opcode:

0001	00rd	dddd	rrrr
------	------	------	------

### Status Register (SREG) and Boolean Formula:

I	T	H	S	V	N	Z	C
-	-	-	-	-	-	-	-

### Example:

```
inc    r4        ; Increase r4
cpse   r4,r0     ; Compare r4 to r0
neg    r4        ; Only executed if r4<>r0
nop                    ; Continue (do nothing)
```

**Words:** 1 (2 bytes)

**Cycles:** 1 if condition is false (no skip)

2 if condition is true (skip is executed) and the instruction skipped is 1 word

3 if condition is true (skip is executed) and the instruction skipped is 2 words



## DEC – Decrement

### Description:

Subtracts one -1- from the contents of register Rd and places the result in the destination register Rd.

The C Flag in SREG is not affected by the operation, thus allowing the DEC instruction to be used on a loop counter in multiple-precision computations.

When operating on unsigned values, only BREQ and BRNE branches can be expected to perform consistently. When operating on two's complement values, all signed branches are available.

#### Operation:

(i)  $Rd \leftarrow Rd - 1$

#### Syntax:

(i) DEC Rd

#### Operands:

$0 \leq d \leq 31$

#### Program Counter:

$PC \leftarrow PC + 1$

#### 16-bit Opcode:

1001	010d	dddd	1010
------	------	------	------

### Status Register and Boolean Formula:

I	T	H	S	V	N	Z	C
-	-	-	↔	↔	↔	↔	-

S:  $N \oplus V$   
For signed tests.

V:  $\overline{R7} \bullet R6 \bullet R5 \bullet R4 \bullet R3 \bullet R2 \bullet R1 \bullet R0$   
Set if two's complement overflow resulted from the operation; cleared otherwise. Two's complement overflow occurs if and only if Rd was \$80 before the operation.

N: R7  
Set if MSB of the result is set; cleared otherwise.

Z:  $\overline{R7} \bullet \overline{R6} \bullet \overline{R5} \bullet \overline{R4} \bullet \overline{R3} \bullet \overline{R2} \bullet \overline{R1} \bullet \overline{R0}$   
Set if the result is \$00; Cleared otherwise.

R (Result) equals Rd after the operation.

### Example:

```

ldi  r17,$10 ; Load constant in r17
loop: add  r1,r2 ; Add r2 to r1
      dec  r17 ; Decrement r17
      brne loop ; Branch if r17<>0
      nop ; Continue (do nothing)

```

Words: 1 (2 bytes)

Cycles: 1

## DES – Data Encryption Standard

### Description:

The module is an instruction set extension to the AVR CPU, performing DES iterations. The 64-bit data block (plaintext or ciphertext) is placed in the CPU register file, registers R0-R7, where LSB of data is placed in LSB of R0 and MSB of data is placed in MSB of R7. The full 64-bit key (including parity bits) is placed in registers R8-R15, organized in the register file with LSB of key in LSB of R8 and MSB of key in MSB of R15. Executing one DES instruction performs one round in the DES algorithm. Sixteen rounds must be executed in increasing order to form the correct DES ciphertext or plaintext. Intermediate results are stored in the register file (R0-R15) after each DES instruction. The instruction's operand (K) determines which round is executed, and the half carry flag (H) determines whether encryption or decryption is performed.

The DES algorithm is described in "Specifications for the Data Encryption Standard" (Federal Information Processing Standards Publication 46). Intermediate results in this implementation differ from the standard because the initial permutation and the inverse initial permutation are performed each iteration. This does not affect the result in the final ciphertext or plaintext, but reduces execution time.

#### Operation:

- (i) If H = 0 then Encrypt round (R7-R0, R15-R8, K)  
 If H = 1 then Decrypt round (R7-R0, R15-R8, K)

#### Syntax:

- (i) DES K

#### Operands:

0x00 ≤ K ≤ 0x0F

#### Program Counter:

PC ← PC + 1

#### 16-bit Opcode:

1001	0100	KKKK	1011
------	------	------	------

### Example:

```
DES 0x00
DES 0x01
...
DES 0x0E
DES 0x0F
```

**Words:** 1

**Cycles:** 1 (2<sup>(1)</sup>)

Note: 1. If the DES instruction is succeeding a non-DES instruction, an extra cycle is inserted.

## EICALL – Extended Indirect Call to Subroutine

### Description:

Indirect call of a subroutine pointed to by the Z (16 bits) Pointer Register in the Register File and the EIND Register in the I/O space. This instruction allows for indirect calls to the entire 4M (words) Program memory space. See also ICALL. The Stack Pointer uses a post-decrement scheme during EICALL.

This instruction is not available in all devices. Refer to the device specific instruction set summary.

### Operation:

- (i)  $PC(15:0) \leftarrow Z(15:0)$   
 $PC(21:16) \leftarrow EIND$

### Syntax:

- (i) EICALL

### Operands:

None

### Program Counter:

See Operation

### Stack:

$STACK \leftarrow PC + 1$   
 $SP \leftarrow SP - 3$  (3 bytes, 22 bits)

### 16-bit Opcode:

1001	0101	0001	1001
------	------	------	------

### Status Register (SREG) and Boolean Formula:

I	T	H	S	V	N	Z	C
-	-	-	-	-	-	-	-

### Example:

```
ldi    r16,$05    ; Set up EIND and Z-pointer
out    EIND,r16
ldi    r30,$00
ldi    r31,$10
eicall                ; Call to $051000
```

**Words :** 1 (2 bytes)

**Cycles :** 4 (only implemented in devices with 22 bit PC)

**Cycles XMEGA:** 3 (only implemented in devices with 22 bit PC)

## EIJMP – Extended Indirect Jump

---

### Description:

Indirect jump to the address pointed to by the Z (16 bits) Pointer Register in the Register File and the EIND Register in the I/O space. This instruction allows for indirect jumps to the entire 4M (words) Program memory space. See also IJMP.

This instruction is not available in all devices. Refer to the device specific instruction set summary.

### Operation:

- (i)  $PC(15:0) \leftarrow Z(15:0)$   
 $PC(21:16) \leftarrow EIND$

### Syntax:

- (i) EIJMP

### Operands:

None

### Program Counter:

See Operation

### Stack:

Not Affected

### 16-bit Opcode:

1001	0100	0001	1001
------	------	------	------

### Status Register (SREG) and Boolean Formula:

I	T	H	S	V	N	Z	C
-	-	-	-	-	-	-	-

### Example:

```
ldi    r16,$05    ; Set up EIND and Z-pointer
out    EIND,r16
ldi    r30,$00
ldi    r31,$10
eijmp                ; Jump to $051000
```

**Words:** 1 (2 bytes)

**Cycles:** 2

## ELPM – Extended Load Program Memory

### Description:

Loads one byte pointed to by the Z-register and the RAMPZ Register in the I/O space, and places this byte in the destination register Rd. This instruction features a 100% space effective constant initialization or constant data fetch. The Program memory is organized in 16-bit words while the Z-pointer is a byte address. Thus, the least significant bit of the Z-pointer selects either low byte ( $Z_{LSB} = 0$ ) or high byte ( $Z_{LSB} = 1$ ). This instruction can address the entire Program memory space. The Z-pointer Register can either be left unchanged by the operation, or it can be incremented. The incrementation applies to the entire 24-bit concatenation of the RAMPZ and Z-pointer Registers.

Devices with Self-Programming capability can use the ELPM instruction to read the Fuse and Lock bit value. Refer to the device documentation for a detailed description.

This instruction is not available in all devices. Refer to the device specific instruction set summary.

The result of these combinations is undefined:

ELPM r30, Z+  
ELPM r31, Z+

### Operation:

- (i)  $R0 \leftarrow (RAMPZ:Z)$
- (ii)  $Rd \leftarrow (RAMPZ:Z)$
- (iii)  $Rd \leftarrow (RAMPZ:Z)$      $(RAMPZ:Z) \leftarrow (RAMPZ:Z) + 1$

### Comment:

RAMPZ:Z: Unchanged, R0 implied destination register  
RAMPZ:Z: Unchanged  
RAMPZ:Z: Post incremented

### Syntax:

- (i) ELPM
- (ii) ELPM Rd, Z
- (iii) ELPM Rd, Z+

### Operands:

None, R0 implied  
 $0 \leq d \leq 31$   
 $0 \leq d \leq 31$

### Program Counter:

$PC \leftarrow PC + 1$   
 $PC \leftarrow PC + 1$   
 $PC \leftarrow PC + 1$

### 16 bit Opcode:

(i)	1001	0101	1101	1000
(ii)	1001	000d	dddd	0110
(iii)	1001	000d	dddd	0111

### Status Register (SREG) and Boolean Formula:

I	T	H	S	V	N	Z	C
-	-	-	-	-	-	-	-

### Example:

```
ldi   ZL, byte3(Table_1<<1); Initialize Z-pointer
out   RAMPZ, ZL
ldi   ZH, byte2(Table_1<<1)
ldi   ZL, byte1(Table_1<<1)
elpm  r16, Z+                ; Load constant from Program
                                ; memory pointed to by RAMPZ:Z (Z is r31:r30)

...
Table_1:
.dw 0x3738                    ; 0x38 is addressed when ZLSB = 0
                                ; 0x37 is addressed when ZLSB = 1
```

...

**Words:** 1 (2 bytes)

**Cycles:** 3

## EOR – Exclusive OR

### Description:

Performs the logical EOR between the contents of register Rd and register Rr and places the result in the destination register Rd.

### Operation:

(i)  $Rd \leftarrow Rd \oplus Rr$

### Syntax:

(i) EOR Rd,Rr

### Operands:

$0 \leq d \leq 31, 0 \leq r \leq 31$

### Program Counter:

$PC \leftarrow PC + 1$

### 16-bit Opcode:

0010	01rd	dddd	rrrr
------	------	------	------

### Status Register (SREG) and Boolean Formula:

I	T	H	S	V	N	Z	C
-	-	-	$\leftrightarrow$	0	$\leftrightarrow$	$\leftrightarrow$	-

S:  $N \oplus V$ , For signed tests.

V: 0  
Cleared

N: R7  
Set if MSB of the result is set; cleared otherwise.

Z:  $\overline{R7} \cdot \overline{R6} \cdot \overline{R5} \cdot \overline{R4} \cdot \overline{R3} \cdot \overline{R2} \cdot \overline{R1} \cdot \overline{R0}$   
Set if the result is \$00; cleared otherwise.

R (Result) equals Rd after the operation.

### Example:

```
eor    r4,r4    ; Clear r4
eor    r0,r22   ; Bitwise exclusive or between r0 and r22
```

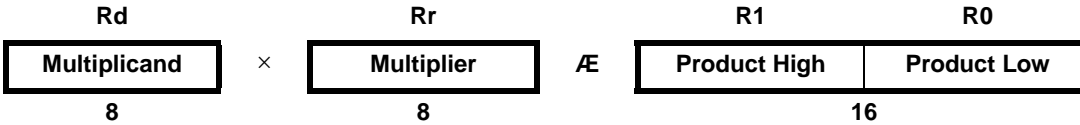
**Words:** 1 (2 bytes)

**Cycles:** 1

## FMUL – Fractional Multiply Unsigned

### Description:

This instruction performs 8-bit × 8-bit → 16-bit unsigned multiplication and shifts the result one bit left.



Let (N.Q) denote a fractional number with N binary digits left of the radix point, and Q binary digits right of the radix point. A multiplication between two numbers in the formats (N1.Q1) and (N2.Q2) results in the format ((N1+N2).(Q1+Q2)). For signal processing applications, the format (1.7) is widely used for the inputs, resulting in a (2.14) format for the product. A left shift is required for the high byte of the product to be in the same format as the inputs. The FMUL instruction incorporates the shift operation in the same number of cycles as MUL.

The (1.7) format is most commonly used with signed numbers, while FMUL performs an unsigned multiplication. This instruction is therefore most useful for calculating one of the partial products when performing a signed multiplication with 16-bit inputs in the (1.15) format, yielding a result in the (1.31) format. Note: the result of the FMUL operation may suffer from a 2's complement overflow if interpreted as a number in the (1.15) format. The MSB of the multiplication before shifting must be taken into account, and is found in the carry bit. See the following example.

The multiplicand Rd and the multiplier Rr are two registers containing unsigned fractional numbers where the implicit radix point lies between bit 6 and bit 7. The 16-bit unsigned fractional product with the implicit radix point between bit 14 and bit 15 is placed in R1 (high byte) and R0 (low byte).

This instruction is not available in all devices. Refer to the device specific instruction set summary.

### Operation:

- (i) R1:R0 ← Rd × Rr (unsigned (1.15) ← unsigned (1.7) × unsigned (1.7))

### Syntax:

- (i) FMUL Rd,Rr

### Operands:

- 16 ≤ d ≤ 23, 16 ≤ r ≤ 23

### Program Counter:

- PC ← PC + 1

### 16-bit Opcode:

0000	0011	0ddd	1rrr
------	------	------	------

### Status Register (SREG) and Boolean Formula:

I	T	H	S	V	N	Z	C
-	-	-	-	-	-	↔	↔

C: R16  
Set if bit 15 of the result before left shift is set; cleared otherwise.

Z:  $\overline{R15} \cdot \overline{R14} \cdot \overline{R13} \cdot \overline{R12} \cdot \overline{R11} \cdot \overline{R10} \cdot \overline{R9} \cdot \overline{R8} \cdot \overline{R7} \cdot \overline{R6} \cdot \overline{R5} \cdot \overline{R4} \cdot \overline{R3} \cdot \overline{R2} \cdot \overline{R1} \cdot \overline{R0}$   
Set if the result is \$0000; cleared otherwise.

R (Result) equals R1,R0 after the operation.



## Example:

```

;*****
;* DESCRIPTION
;*Signed fractional multiply of two 16-bit numbers with 32-bit result.
;* USAGE
;*r19:r18:r17:r16 = ( r23:r22 * r21:r20 ) << 1
;*****
fmuls16x16_32:
    clrr2
    fmulsr23, r21;((signed)ah * (signed)bh) << 1
    movwr19:r18, r1:r0
    fmulr22, r20;(a1 * b1) << 1
    adcr18, r2
    movwr17:r16, r1:r0
    fmulsur23, r20;((signed)ah * b1) << 1
    sbcr19, r2
    addr17, r0
    adcr18, r1
    adcr19, r2
    fmulsur21, r22;((signed)bh * a1) << 1
    sbcr19, r2
    addr17, r0
    adcr18, r1
    adcr19, r2

```

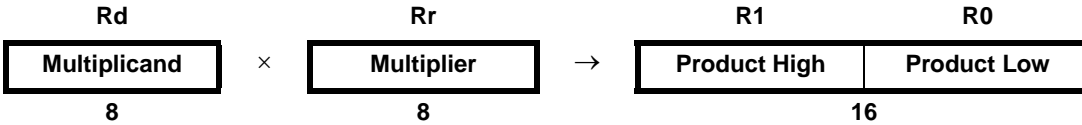
**Words:** 1 (2 bytes)

**Cycles:** 2

## FMULS – Fractional Multiply Signed

### Description:

This instruction performs 8-bit × 8-bit → 16-bit signed multiplication and shifts the result one bit left.



Let (N.Q) denote a fractional number with N binary digits left of the radix point, and Q binary digits right of the radix point. A multiplication between two numbers in the formats (N1.Q1) and (N2.Q2) results in the format ((N1+N2).(Q1+Q2)). For signal processing applications, the format (1.7) is widely used for the inputs, resulting in a (2.14) format for the product. A left shift is required for the high byte of the product to be in the same format as the inputs. The FMULS instruction incorporates the shift operation in the same number of cycles as MULS.

The multiplicand Rd and the multiplier Rr are two registers containing signed fractional numbers where the implicit radix point lies between bit 6 and bit 7. The 16-bit signed fractional product with the implicit radix point between bit 14 and bit 15 is placed in R1 (high byte) and R0 (low byte).

Note that when multiplying 0x80 (-1) with 0x80 (-1), the result of the shift operation is 0x8000 (-1). The shift operation thus gives a two's complement overflow. This must be checked and handled by software.

This instruction is not available in all devices. Refer to the device specific instruction set summary.

### Operation:

- (i) R1:R0 ← Rd × Rr (signed (1.15) ← signed (1.7) × signed (1.7))

### Syntax:

- (i) FMULS Rd,Rr

### Operands:

- 16 ≤ d ≤ 23, 16 ≤ r ≤ 23

### Program Counter:

- PC ← PC + 1

### 16-bit Opcode:

0000	0011	1ddd	0rrr
------	------	------	------

### Status Register (SREG) and Boolean Formula:

I	T	H	S	V	N	Z	C
-	-	-	-	-	-	↔	↔

C: R16  
Set if bit 15 of the result before left shift is set; cleared otherwise.

Z:  $\overline{R15} \cdot \overline{R14} \cdot \overline{R13} \cdot \overline{R12} \cdot \overline{R11} \cdot \overline{R10} \cdot \overline{R9} \cdot \overline{R8} \cdot \overline{R7} \cdot \overline{R6} \cdot \overline{R5} \cdot \overline{R4} \cdot \overline{R3} \cdot \overline{R2} \cdot \overline{R1} \cdot \overline{R0}$   
Set if the result is \$0000; cleared otherwise.

R (Result) equals R1,R0 after the operation.

### Example:

```
fmuls r23,r22 ; Multiply signed r23 and r22 in (1.7) format, result in (1.15) format
movw r23:r22,r1:r0 ; Copy result back in r23:r22
```

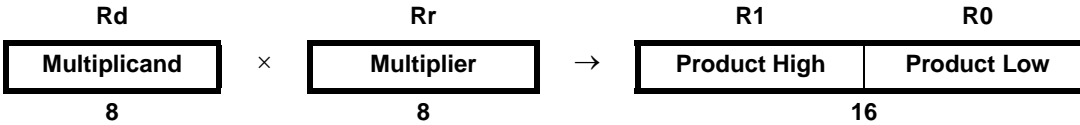
**Words:** 1 (2 bytes)

**Cycles:** 2

## FMULSU – Fractional Multiply Signed with Unsigned

### Description:

This instruction performs 8-bit × 8-bit → 16-bit signed multiplication and shifts the result one bit left.



Let (N.Q) denote a fractional number with N binary digits left of the radix point, and Q binary digits right of the radix point. A multiplication between two numbers in the formats (N1.Q1) and (N2.Q2) results in the format ((N1+N2).(Q1+Q2)). For signal processing applications, the format (1.7) is widely used for the inputs, resulting in a (2.14) format for the product. A left shift is required for the high byte of the product to be in the same format as the inputs. The FMULSU instruction incorporates the shift operation in the same number of cycles as MULSU.

The (1.7) format is most commonly used with signed numbers, while FMULSU performs a multiplication with one unsigned and one signed input. This instruction is therefore most useful for calculating two of the partial products when performing a signed multiplication with 16-bit inputs in the (1.15) format, yielding a result in the (1.31) format. Note: the result of the FMULSU operation may suffer from a 2's complement overflow if interpreted as a number in the (1.15) format. The MSB of the multiplication before shifting must be taken into account, and is found in the carry bit. See the following example.

The multiplicand Rd and the multiplier Rr are two registers containing fractional numbers where the implicit radix point lies between bit 6 and bit 7. The multiplicand Rd is a signed fractional number, and the multiplier Rr is an unsigned fractional number. The 16-bit signed fractional product with the implicit radix point between bit 14 and bit 15 is placed in R1 (high byte) and R0 (low byte).

This instruction is not available in all devices. Refer to the device specific instruction set summary.

### Operation:

- (i) R1:R0 ← Rd × Rr (signed (1.15) ← signed (1.7) × unsigned (1.7))

### Syntax:

- (i) FMULSU Rd,Rr 16 ≤ d ≤ 23, 16 ≤ r ≤ 23

### Program Counter:

PC ← PC + 1

### 16-bit Opcode:

0000	0011	1ddd	1rrr
------	------	------	------

### Status Register (SREG) and Boolean Formula:

I	T	H	S	V	N	Z	C
–	–	–	–	–	–	↔	↔

C: R16  
Set if bit 15 of the result before left shift is set; cleared otherwise.

Z:  $\overline{R15} \cdot \overline{R14} \cdot \overline{R13} \cdot \overline{R12} \cdot \overline{R11} \cdot \overline{R10} \cdot \overline{R9} \cdot \overline{R8} \cdot \overline{R7} \cdot \overline{R6} \cdot \overline{R5} \cdot \overline{R4} \cdot \overline{R3} \cdot \overline{R2} \cdot \overline{R1} \cdot \overline{R0}$   
Set if the result is \$0000; cleared otherwise.

R (Result) equals R1,R0 after the operation.

**Example:**

```

;*****
;* DESCRIPTION
;*Signed fractional multiply of two 16-bit numbers with 32-bit result.
;* USAGE
;*r19:r18:r17:r16 = ( r23:r22 * r21:r20 ) << 1
;*****
fmuls16x16_32:
  clrr2
  fmulsr23, r21;((signed)ah * (signed)bh) << 1
  movwr19:r18, r1:r0
  fmulr22, r20;(a1 * b1) << 1
  adcr18, r2
  movwr17:r16, r1:r0
  fmulsur23, r20;((signed)ah * b1) << 1
  sbcr19, r2
  addr17, r0
  adcr18, r1
  adcr19, r2
  fmulsur21, r22;((signed)bh * a1) << 1
  sbcr19, r2
  addr17, r0
  adcr18, r1
  adcr19, r2

```

**Words:** 1 (2 bytes)

**Cycles:** 2

## ICALL – Indirect Call to Subroutine

### Description:

Calls to a subroutine within the entire 4M (words) Program memory. The return address (to the instruction after the CALL) will be stored onto the Stack. See also RCALL. The Stack Pointer uses a post-decrement scheme during CALL.

This instruction is not available in all devices. Refer to the device specific instruction set summary.

### Operation:

- (i)  $PC(15:0) \leftarrow Z(15:0)$  Devices with 16 bits PC, 128K bytes Program memory maximum.
- (ii)  $PC(15:0) \leftarrow Z(15:0)$  Devices with 22 bits PC, 8M bytes Program memory maximum.  
 $PC(21:16) \leftarrow 0$

	Syntax:	Operands:	Program Counter:	Stack:
(i)	ICALL	None	See Operation	STACK $\leftarrow$ PC + 1 SP $\leftarrow$ SP - 2 (2 bytes, 16 bits)
(ii)	ICALL	None	See Operation	STACK $\leftarrow$ PC + 1 SP $\leftarrow$ SP - 3 (3 bytes, 22 bits)

### 16-bit Opcode:

1001	0101	0000	1001
------	------	------	------

### Status Register (SREG) and Boolean Formula:

I	T	H	S	V	N	Z	C
-	-	-	-	-	-	-	-

### Example:

```
mov    r30,r0    ; Set offset to call table
icall                ; Call routine pointed to by r31:r30
```

<b>Words :</b>	1 (2 bytes)
<b>Cycles :</b>	3, devices with 16 bit PC 4, devices with 22 bit PC
<b>Cycles XMEGA:</b>	2, devices with 16 bit PC 3, devices with 22 bit PC

## IJMP – Indirect Jump

### Description:

Indirect jump to the address pointed to by the Z (16 bits) Pointer Register in the Register File. The Z-pointer Register is 16 bits wide and allows jump within the lowest 64K words (128K bytes) section of Program memory.

This instruction is not available in all devices. Refer to the device specific instruction set summary.

### Operation:

- (i)  $PC \leftarrow Z(15:0)$  Devices with 16 bits PC, 128K bytes Program memory maximum.
- (ii)  $PC(15:0) \leftarrow Z(15:0)$  Devices with 22 bits PC, 8M bytes Program memory maximum.  
 $PC(21:16) \leftarrow 0$

<b>Syntax:</b>	<b>Operands:</b>	<b>Program Counter:</b>	<b>Stack:</b>
(i),(ii) IJMP	None	See Operation	Not Affected

### 16-bit Opcode:

1001	0100	0000	1001
------	------	------	------

### Status Register (SREG) and Boolean Formula:

I	T	H	S	V	N	Z	C
-	-	-	-	-	-	-	-

### Example:

```

mov    r30,r0    ; Set offset to jump table
ijmp             ; Jump to routine pointed to by r31:r30
    
```

**Words:** 1 (2 bytes)

**Cycles:** 2

## IN - Load an I/O Location to Register

---

### Description:

Loads data from the I/O Space (Ports, Timers, Configuration Registers etc.) into register Rd in the Register File.

#### Operation:

(i)  $Rd \leftarrow I/O(A)$

#### Syntax:

(i) IN Rd,A

#### Operands:

$0 \leq d \leq 31, 0 \leq A \leq 63$

#### Program Counter:

$PC \leftarrow PC + 1$

#### 16-bit Opcode:

1011	0AA d	ddd	AAAA
------	-------	-----	------

### Status Register (SREG) and Boolean Formula:

I	T	H	S	V	N	Z	C
-	-	-	-	-	-	-	-

### Example:

```

in    r25,$16    ; Read Port B
cpi   r25,4      ; Compare read value to constant
breq  exit       ; Branch if r25=4
...
exit: nop        ; Branch destination (do nothing)

```

**Words:** 1 (2 bytes)

**Cycles:** 1



## INC – Increment

### Description:

Adds one -1- to the contents of register Rd and places the result in the destination register Rd.

The C Flag in SREG is not affected by the operation, thus allowing the INC instruction to be used on a loop counter in multiple-precision computations.

When operating on unsigned numbers, only BREQ and BRNE branches can be expected to perform consistently. When operating on two's complement values, all signed branches are available.

### Operation:

(i)  $Rd \leftarrow Rd + 1$

### Syntax:

(i) INC Rd

### Operands:

$0 \leq d \leq 31$

### Program Counter:

$PC \leftarrow PC + 1$

### 16-bit Opcode:

1001	010d	dddd	0011
------	------	------	------

### Status Register and Boolean Formula:

I	T	H	S	V	N	Z	C
-	-	-	↔	↔	↔	↔	-

S:  $N \oplus V$   
For signed tests.

V:  $R7 \cdot \overline{R6} \cdot \overline{R5} \cdot \overline{R4} \cdot \overline{R3} \cdot \overline{R2} \cdot \overline{R1} \cdot \overline{R0}$   
Set if two's complement overflow resulted from the operation; cleared otherwise. Two's complement overflow occurs if and only if Rd was \$7F before the operation.

N: R7  
Set if MSB of the result is set; cleared otherwise.

Z:  $\overline{R7} \cdot \overline{R6} \cdot \overline{R5} \cdot \overline{R4} \cdot \overline{R3} \cdot \overline{R2} \cdot \overline{R1} \cdot \overline{R0}$   
Set if the result is \$00; Cleared otherwise.

R (Result) equals Rd after the operation.

### Example:

```

clr    r22        ; clear r22
loop:  inc    r22        ; increment r22
...
cpi    r22,$4F    ; Compare r22 to $4f
brne   loop       ; Branch if not equal
nop                    ; Continue (do nothing)
    
```



**Words:** 1 (2 bytes)

**Cycles:** 1

## JMP – Jump

### Description:

Jump to an address within the entire 4M (words) Program memory. See also RJMP.

This instruction is not available in all devices. Refer to the device specific instruction set summary.

### Operation:

(i)  $PC \leftarrow k$

### Syntax:

(i) `JMP k`

### Operands:

$0 \leq k < 4M$

### Program Counter:

$PC \leftarrow k$

### Stack:

Unchanged

### 32-bit Opcode:

1001	010k	kkkk	110k
kkkk	kkkk	kkkk	kkkk

### Status Register (SREG) and Boolean Formula:

<b>I</b>	<b>T</b>	<b>H</b>	<b>S</b>	<b>V</b>	<b>N</b>	<b>Z</b>	<b>C</b>
–	–	–	–	–	–	–	–

### Example:

```

mov    r1,r0    ; Copy r0 to r1
jmp    farplc   ; Unconditional jump
...
farplc: nop          ; Jump destination (do nothing)
    
```

**Words:** 2 (4 bytes)

**Cycles:** 3

## LD – Load Indirect from Data Space to Register using Index X

### Description:

Loads one byte indirect from the data space to a register. For parts with SRAM, the data space consists of the Register File, I/O memory and internal SRAM (and external SRAM if applicable). For parts without SRAM, the data space consists of the Register File only. In some parts the Flash Memory has been mapped to the data space and can be read using this command. The EEPROM has a separate address space.

The data location is pointed to by the X (16 bits) Pointer Register in the Register File. Memory access is limited to the current data segment of 64K bytes. To access another data segment in devices with more than 64K bytes data space, the RAMPX in register in the I/O area has to be changed.

The X-pointer Register can either be left unchanged by the operation, or it can be post-incremented or pre-decremented. These features are especially suited for accessing arrays, tables, and Stack Pointer usage of the X-pointer Register. Note that only the low byte of the X-pointer is updated in devices with no more than 256 bytes data space. For such devices, the high byte of the pointer is not used by this instruction and can be used for other purposes. The RAMPX Register in the I/O area is updated in parts with more than 64K bytes data space or more than 64K bytes Program memory, and the increment/decrement is added to the entire 24-bit address on such devices.

Not all variants of this instruction is available in all devices. Refer to the device specific instruction set summary.

In the ATtiny10 the LD instruction can be used to achieve the same operation as LPM since the program memory is mapped to the data memory space.

The result of these combinations is undefined:

LD r26, X+  
LD r27, X+  
LD r26, -X  
LD r27, -X

### Using the X-pointer:

	<b>Operation:</b>		<b>Comment:</b>
(i)	$Rd \leftarrow (X)$		X: Unchanged
(ii)	$Rd \leftarrow (X)$	$X \leftarrow X + 1$	X: Post incremented
(iii)	$X \leftarrow X - 1$	$Rd \leftarrow (X)$	X: Pre decremented

	<b>Syntax:</b>	<b>Operands:</b>	<b>Program Counter:</b>
(i)	LD Rd, X	$0 \leq d \leq 31$	$PC \leftarrow PC + 1$
(ii)	LD Rd, X+	$0 \leq d \leq 31$	$PC \leftarrow PC + 1$
(iii)	LD Rd, -X	$0 \leq d \leq 31$	$PC \leftarrow PC + 1$

## 16-bit Opcode:

(i)	1001	000d	dddd	1100
(ii)	1001	000d	dddd	1101
(iii)	1001	000d	dddd	1110

## Status Register (SREG) and Boolean Formula:

<b>I</b>	<b>T</b>	<b>H</b>	<b>S</b>	<b>V</b>	<b>N</b>	<b>Z</b>	<b>C</b>
-	-	-	-	-	-	-	-

**Example:**

```

clr  r27          ; Clear X high byte
ldi  r26,$60     ; Set X low byte to $60
ld   r0,X+       ; Load r0 with data space loc. $60(X post inc)
ld   r1,X        ; Load r1 with data space loc. $61
ldi  r26,$63     ; Set X low byte to $63
ld   r2,X        ; Load r2 with data space loc. $63
ld   r3,-X       ; Load r3 with data space loc. $62(X pre dec)

```

**Words:** 1 (2 bytes)

**Cycles:**

- (i) 1<sup>(2)</sup>
- (ii) 2
- (iii) 3<sup>(2)</sup>

**Cycles XMEGA:**

- (i) 1<sup>(1)</sup>
- (ii) 1<sup>(1)</sup>
- (iii) 2<sup>(1)</sup>

- Notes:
1. IF the LD instruction is accessing internal SRAM, one extra cycle is inserted.
  2. LD instruction can load data from program memory since the flash is memory mapped. Loading data from the data memory takes 1 clock cycle, and loading from the program memory takes 2 clock cycles. But if an interrupt occur (before the last clock cycle) no additional clock cycles is necessary when loading from the program memory. Hence, the instruction takes only 1 clock cycle to execute.

LD instruction with pre-decrement can load data from program memory since the flash is memory mapped. Loading data from the data memory takes 2 clock cycles, and loading from the program memory takes 3 clock cycles. But if an interrupt occur (before the last clock cycle) no additional clock cycles is necessary when loading from the program memory. Hence, the instruction takes only 1 clock cycle to execute.

## LD (LDD) – Load Indirect from Data Space to Register using Index Y

### Description:

Loads one byte indirect with or without displacement from the data space to a register. For parts with SRAM, the data space consists of the Register File, I/O memory and internal SRAM (and external SRAM if applicable). For parts without SRAM, the data space consists of the Register File only. In some parts the Flash Memory has been mapped to the data space and can be read using this command. The EEPROM has a separate address space.

The data location is pointed to by the Y (16 bits) Pointer Register in the Register File. Memory access is limited to the current data segment of 64K bytes. To access another data segment in devices with more than 64K bytes data space, the RAMPY in register in the I/O area has to be changed.

The Y-pointer Register can either be left unchanged by the operation, or it can be post-incremented or pre-decremented. These features are especially suited for accessing arrays, tables, and Stack Pointer usage of the Y-pointer Register. Note that only the low byte of the Y-pointer is updated in devices with no more than 256 bytes data space. For such devices, the high byte of the pointer is not used by this instruction and can be used for other purposes. The RAMPY Register in the I/O area is updated in parts with more than 64K bytes data space or more than 64K bytes Program memory, and the increment/decrement/displacement is added to the entire 24-bit address on such devices.

Not all variants of this instruction is available in all devices. Refer to the device specific instruction set summary.

In the ATtiny10 the LD instruction can be used to achieve the same operation as LPM since the program memory is mapped to the data memory space.

The result of these combinations is undefined:

LD r28, Y+  
LD r29, Y+  
LD r28, -Y  
LD r29, -Y

### Using the Y-pointer:

	<b>Operation:</b>		<b>Comment:</b>
(i)	$Rd \leftarrow (Y)$		Y: Unchanged
(ii)	$Rd \leftarrow (Y)$	$Y \leftarrow Y + 1$	Y: Post incremented
(iii)	$Y \leftarrow Y - 1$	$Rd \leftarrow (Y)$	Y: Pre decremented
(iv)	$Rd \leftarrow (Y+q)$		Y: Unchanged, q: Displacement

	<b>Syntax:</b>	<b>Operands:</b>	<b>Program Counter:</b>
(i)	LD Rd, Y	$0 \leq d \leq 31$	$PC \leftarrow PC + 1$
(ii)	LD Rd, Y+	$0 \leq d \leq 31$	$PC \leftarrow PC + 1$
(iii)	LD Rd, -Y	$0 \leq d \leq 31$	$PC \leftarrow PC + 1$
(iv)	LDD Rd, Y+q	$0 \leq d \leq 31, 0 \leq q \leq 63$	$PC \leftarrow PC + 1$

### 16-bit Opcode:

(i)	1000	000d	dddd	1000
(ii)	1001	000d	dddd	1001
(iii)	1001	000d	dddd	1010
(iv)	10q0	qq0d	dddd	1qqq

### Status Register (SREG) and Boolean Formula:

<b>I</b>	<b>T</b>	<b>H</b>	<b>S</b>	<b>V</b>	<b>N</b>	<b>Z</b>	<b>C</b>
-	-	-	-	-	-	-	-

### Example:

```

clr  r29          ; Clear Y high byte
ldi  r28,$60     ; Set Y low byte to $60
ld   r0,Y+       ; Load r0 with data space loc. $60(Y post inc)
ld   r1,Y        ; Load r1 with data space loc. $61
ldi  r28,$63     ; Set Y low byte to $63
ld   r2,Y        ; Load r2 with data space loc. $63
ld   r3,-Y       ; Load r3 with data space loc. $62(Y pre dec)
ldd  r4,Y+2      ; Load r4 with data space loc. $64

```

**Words:** 1 (2 bytes)

**Cycles:**

- (i) 1<sup>(2)</sup>
- (ii) 2
- (iii) 3<sup>(2)</sup>

**Cycles XMEGA:**

- (i) 1<sup>(1)</sup>
- (ii) 1<sup>(1)</sup>
- (iii) 2<sup>(1)</sup>
- (iv) 2<sup>(1)</sup>

- Notes:
- IF the LD instruction is accessing internal SRAM, one extra cycle is inserted.
  - LD instruction can load data from program memory since the flash is memory mapped. Loading data from the data memory takes 1 clock cycle, and loading from the program memory takes 2 clock cycles. But if an interrupt occur (before the last clock cycle) no additional clock cycles is necessary when loading from the program memory. Hence, the instruction takes only 1 clock cycle to execute.

LD instruction with pre-decrement can load data from program memory since the flash is memory mapped. Loading data from the data memory takes 2 clock cycles, and loading from the program memory takes 3 clock cycles. But if an interrupt occur (before the last clock cycle) no additional clock cycles is necessary when loading from the program memory. Hence, the instruction takes only 1 clock cycle to execute.



## LD (LDD) – Load Indirect From Data Space to Register using Index Z

### Description:

Loads one byte indirect with or without displacement from the data space to a register. For parts with SRAM, the data space consists of the Register File, I/O memory and internal SRAM (and external SRAM if applicable). For parts without SRAM, the data space consists of the Register File only. In some parts the Flash Memory has been mapped to the data space and can be read using this command. The EEPROM has a separate address space.

The data location is pointed to by the Z (16 bits) Pointer Register in the Register File. Memory access is limited to the current data segment of 64K bytes. To access another data segment in devices with more than 64K bytes data space, the RAMPZ in register in the I/O area has to be changed.

The Z-pointer Register can either be left unchanged by the operation, or it can be post-incremented or pre-decremented. These features are especially suited for Stack Pointer usage of the Z-pointer Register, however because the Z-pointer Register can be used for indirect subroutine calls, indirect jumps and table lookup, it is often more convenient to use the X or Y-pointer as a dedicated Stack Pointer. Note that only the low byte of the Z-pointer is updated in devices with no more than 256 bytes data space. For such devices, the high byte of the pointer is not used by this instruction and can be used for other purposes. The RAMPZ Register in the I/O area is updated in parts with more than 64K bytes data space or more than 64K bytes Program memory, and the increment/decrement/displacement is added to the entire 24-bit address on such devices.

Not all variants of this instruction is available in all devices. Refer to the device specific instruction set summary.

In the ATtiny10 the LD instruction can be used to achieve the same operation as LPM since the program memory is mapped to the data memory space.

For using the Z-pointer for table lookup in Program memory see the LPM and ELPM instructions.

The result of these combinations is undefined:

```
LD r30, Z+
LD r31, Z+
LD r30, -Z
LD r31, -Z
```

### Using the Z-pointer:

	<b>Operation:</b>	<b>Comment:</b>	
(i)	$Rd \leftarrow (Z)$		Z: Unchanged
(ii)	$Rd \leftarrow (Z)$	$Z \leftarrow Z + 1$	Z: Post increment
(iii)	$Z \leftarrow Z - 1$	$Rd \leftarrow (Z)$	Z: Pre decrement
(iv)	$Rd \leftarrow (Z+q)$		Z: Unchanged, q: Displacement

	<b>Syntax:</b>	<b>Operands:</b>	<b>Program Counter:</b>
(i)	LD Rd, Z	$0 \leq d \leq 31$	$PC \leftarrow PC + 1$
(ii)	LD Rd, Z+	$0 \leq d \leq 31$	$PC \leftarrow PC + 1$
(iii)	LD Rd, -Z	$0 \leq d \leq 31$	$PC \leftarrow PC + 1$
(iv)	LDD Rd, Z+q	$0 \leq d \leq 31, 0 \leq q \leq 63$	$PC \leftarrow PC + 1$

### 16-bit Opcode:

(i)	1000	000d	dddd	0000
(ii)	1001	000d	dddd	0001
(iii)	1001	000d	dddd	0010
(iv)	10q0	qq0d	dddd	0qqq

### Status Register (SREG) and Boolean Formula:

<b>I</b>	<b>T</b>	<b>H</b>	<b>S</b>	<b>V</b>	<b>N</b>	<b>Z</b>	<b>C</b>
-	-	-	-	-	-	-	-

#### Example:

```

clr  r31      ; Clear Z high byte
ldi  r30,$60  ; Set Z low byte to $60
ld   r0,Z+    ; Load r0 with data space loc. $60 (Z post inc)
ld   r1,Z     ; Load r1 with data space loc. $61
ldi  r30,$63  ; Set Z low byte to $63
ld   r2,Z     ; Load r2 with data space loc. $63
ld   r3,-Z   ; Load r3 with data space loc. $62 (Z pre dec)
ldd  r4,Z+2   ; Load r4 with data space loc. $64

```

**Words:** 1 (2 bytes)

**Cycles:**

- (i) 1<sup>(2)</sup>
- (ii) 2
- (iii) 3<sup>(2)</sup>

**Cycles XMEGA:**

- (i) 1<sup>(1)</sup>
- (ii) 1<sup>(1)</sup>
- (iii) 2<sup>(1)</sup>
- (iv) 2<sup>(1)</sup>

- Notes:
- IF the LD instruction is accessing internal SRAM, one extra cycle is inserted.
  - LD instruction can load data from program memory since the flash is memory mapped. Loading data from the data memory takes 1 clock cycle, and loading from the program memory takes 2 clock cycles. But if an interrupt occur (before the last clock cycle) no additional clock cycles is necessary when loading from the program memory. Hence, the instruction takes only 1 clock cycle to execute.

LD instruction with pre-decrement can load data from program memory since the flash is memory mapped. Loading data from the data memory takes 2 clock cycles, and loading from the program memory takes 3 clock cycles. But if an interrupt occur (before the last clock cycle) no additional clock cycles is necessary when loading from the program memory. Hence, the instruction takes only 1 clock cycle to execute.

## LDI – Load Immediate

### Description:

Loads an 8 bit constant directly to register 16 to 31.

#### Operation:

(i)  $Rd \leftarrow K$

#### Syntax:

(i) LDI Rd,K

#### Operands:

$16 \leq d \leq 31, 0 \leq K \leq 255$

#### Program Counter:

$PC \leftarrow PC + 1$

#### 16-bit Opcode:

1110	KKKK	dddd	KKKK
------	------	------	------

### Status Register (SREG) and Boolean Formula:

I	T	H	S	V	N	Z	C
-	-	-	-	-	-	-	-

### Example:

```

clr  r31      ; Clear Z high byte
ldi  r30,$F0  ; Set Z low byte to $F0
lpm                      ; Load constant from Program
                        ; memory pointed to by Z
    
```

**Words:** 1 (2 bytes)

**Cycles:** 1

## LDS – Load Direct from Data Space

### Description:

Loads one byte from the data space to a register. For parts with SRAM, the data space consists of the Register File, I/O memory and internal SRAM (and external SRAM if applicable). For parts without SRAM, the data space consists of the register file only. The EEPROM has a separate address space.

A 16-bit address must be supplied. Memory access is limited to the current data segment of 64K bytes. The LDS instruction uses the RAMPD Register to access memory above 64K bytes. To access another data segment in devices with more than 64K bytes data space, the RAMPD in register in the I/O area has to be changed.

This instruction is not available in all devices. Refer to the device specific instruction set summary.

### Operation:

(i)  $Rd \leftarrow (k)$

### Syntax:

(i) LDS Rd,k

### Operands:

$0 \leq d \leq 31, 0 \leq k \leq 65535$

### Program Counter:

$PC \leftarrow PC + 2$

### 32-bit Opcode:

1001	000d	dddd	0000
kkkk	kkkk	kkkk	kkkk

### Status Register (SREG) and Boolean Formula:

I	T	H	S	V	N	Z	C
-	-	-	-	-	-	-	-

### Example:

```
lds r2,$FF00 ; Load r2 with the contents of data space location $FF00
add r2,r1    ; add r1 to r2
sts $FF00,r2 ; Write back
```

**Words:** 2 (4 bytes)

**Cycles:** 2

**Cycles XMEGA:** 2 If the LDS instruction is accessing internal SRAM, one extra cycle is inserted.

## LDS (16-bit) – Load Direct from Data Space

### Description:

Loads one byte from the data space to a register. For parts with SRAM, the data space consists of the Register File, I/O memory and internal SRAM (and external SRAM if applicable). For parts without SRAM, the data space consists of the register file only. In some parts the Flash memory has been mapped to the data space and can be read using this command. The EEPROM has a separate address space.

A 7-bit address must be supplied. The address given in the instruction is coded to a data space address as follows:

$$\text{ADDR}[7:0] = (\overline{\text{INST}}[8], \text{INST}[8], \text{INST}[10], \text{INST}[9], \text{INST}[3], \text{INST}[2], \text{INST}[1], \text{INST}[0])$$

Memory access is limited to the address range 0x40..0xbf.

This instruction is not available in all devices. Refer to the device specific instruction set summary.

### Operation:

(i)  $Rd \leftarrow (k)$

### Syntax:

(i) LDS Rd,k

### Operands:

$16 \leq d \leq 31, 0 \leq k \leq 127$

### Program Counter:

$PC \leftarrow PC + 1$

### 16-bit Opcode:

1010	0kkk	dddd	kkkk
------	------	------	------

### Status Register (SREG) and Boolean Formula:

I	T	H	S	V	N	Z	C
-	-	-	-	-	-	-	-

### Example:

```
lds r16,$00 ; Load r16 with the contents of data space location $00
add r16,r17 ; add r17 to r16
sts $00,r16 ; Write result to the same address it was fetched from
```

**Words:** 1 (2 bytes)

**Cycles:** 1

**Note:** Registers r0..r15 are remapped to r16..r31.

## LPM – Load Program Memory

### Description:

Loads one byte pointed to by the Z-register into the destination register Rd. This instruction features a 100% space effective constant initialization or constant data fetch. The Program memory is organized in 16-bit words while the Z-pointer is a byte address. Thus, the least significant bit of the Z-pointer selects either low byte ( $Z_{LSB} = 0$ ) or high byte ( $Z_{LSB} = 1$ ). This instruction can address the first 64K bytes (32K words) of Program memory. The Z-pointer Register can either be left unchanged by the operation, or it can be incremented. The incrementation does not apply to the RAMPZ Register.

Devices with Self-Programming capability can use the LPM instruction to read the Fuse and Lock bit values. Refer to the device documentation for a detailed description.

The LPM instruction is not available in all devices. Refer to the device specific instruction set summary.

The result of these combinations is undefined:

LPM r30, Z+  
LPM r31, Z+

#### Operation:

- (i)  $R0 \leftarrow (Z)$
- (ii)  $Rd \leftarrow (Z)$
- (iii)  $Rd \leftarrow (Z)$        $Z \leftarrow Z + 1$

#### Comment:

- Z: Unchanged, R0 implied destination register
- Z: Unchanged
- Z: Post incremented

#### Syntax:

- (i) LPM
- (ii) LPM Rd, Z
- (iii) LPM Rd, Z+

#### Operands:

- None, R0 implied
- $0 \leq d \leq 31$
- $0 \leq d \leq 31$

#### Program Counter:

- $PC \leftarrow PC + 1$
- $PC \leftarrow PC + 1$
- $PC \leftarrow PC + 1$

#### 16-bit Opcode:

(i)	1001	0101	1100	1000
(ii)	1001	000d	dddd	0100
(iii)	1001	000d	dddd	0101

#### Status Register (SREG) and Boolean Formula:

I	T	H	S	V	N	Z	C
-	-	-	-	-	-	-	-

#### Example:

```
ldi ZH, high(Table_1<<1); Initialize Z-pointer
ldi ZL, low(Table_1<<1)
lpm r16, Z ; Load constant from Program
; Memory pointed to by Z (r31:r30)
...
Table_1:
.dw 0x5876 ; 0x76 is addresses when ZLSB = 0
; 0x58 is addresses when ZLSB = 1
...
```

**Words:** 1 (2 bytes)

**Cycles:** 3

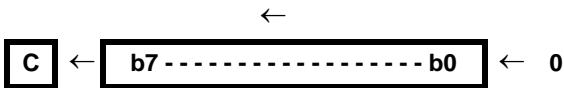
## LSL – Logical Shift Left

### Description:

Shifts all bits in Rd one place to the left. Bit 0 is cleared. Bit 7 is loaded into the C Flag of the SREG. This operation effectively multiplies signed and unsigned values by two.

### Operation:

(i)



### Syntax:

(i) LSL Rd

### Operands:

$0 \leq d \leq 31$

### Program Counter:

$PC \leftarrow PC + 1$

### 16-bit Opcode: (see ADD Rd,Rd)

0000	11dd	dddd	dddd
------	------	------	------

### Status Register (SREG) and Boolean Formula:

I	T	H	S	V	N	Z	C
-	-	↔	↔	↔	↔	↔	↔

H: Rd3

S:  $N \oplus V$ , For signed tests.

V:  $N \oplus C$  (For N and C after the shift)

N: R7  
Set if MSB of the result is set; cleared otherwise.

Z:  $\overline{R7} \bullet \overline{R6} \bullet \overline{R5} \bullet \overline{R4} \bullet \overline{R3} \bullet \overline{R2} \bullet \overline{R1} \bullet \overline{R0}$   
Set if the result is \$00; cleared otherwise.

C: Rd7  
Set if, before the shift, the MSB of Rd was set; cleared otherwise.

R (Result) equals Rd after the operation.

### Example:

```
add    r0,r4    ; Add r4 to r0
lsl    r0       ; Multiply r0 by 2
```

**Words:** 1 (2 bytes)

**Cycles:** 1

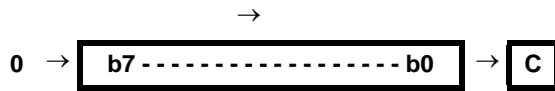


## LSR – Logical Shift Right

### Description:

Shifts all bits in Rd one place to the right. Bit 7 is cleared. Bit 0 is loaded into the C Flag of the SREG. This operation effectively divides an unsigned value by two. The C Flag can be used to round the result.

### Operation:



**Syntax:** LSR Rd  
**Operands:**  $0 \leq d \leq 31$   
**Program Counter:**  $PC \leftarrow PC + 1$

### 16-bit Opcode:

1001	010d	dddd	0110
------	------	------	------

### Status Register (SREG) and Boolean Formula:

I	T	H	S	V	N	Z	C
-	-	-	↔	↔	0	↔	↔

S:  $N \oplus V$ , For signed tests.

V:  $N \oplus C$  (For N and C after the shift)

N: 0

Z:  $\overline{R7} \cdot \overline{R6} \cdot \overline{R5} \cdot \overline{R4} \cdot \overline{R3} \cdot \overline{R2} \cdot \overline{R1} \cdot \overline{R0}$   
 Set if the result is \$00; cleared otherwise.

C: Rd0  
 Set if, before the shift, the LSB of Rd was set; cleared otherwise.

R (Result) equals Rd after the operation.

### Example:

```
add    r0,r4    ; Add r4 to r0
lsr    r0       ; Divide r0 by 2
```

**Words:** 1 (2 bytes)

**Cycles:** 1

## MOV – Copy Register

---

### Description:

This instruction makes a copy of one register into another. The source register Rr is left unchanged, while the destination register Rd is loaded with a copy of Rr.

#### Operation:

(i)  $Rd \leftarrow Rr$

#### Syntax:

(i) MOV Rd,Rr

#### Operands:

$0 \leq d \leq 31, 0 \leq r \leq 31$

#### Program Counter:

$PC \leftarrow PC + 1$

#### 16-bit Opcode:

0010	11rd	dddd	rrrr
------	------	------	------

### Status Register (SREG) and Boolean Formula:

I	T	H	S	V	N	Z	C
-	-	-	-	-	-	-	-

### Example:

```

mov    r16,r0    ; Copy r0 to r16
call   check     ; Call subroutine
...
check: cpi    r16,$11 ; Compare r16 to $11
...
ret                    ; Return from subroutine

```

**Words:** 1 (2 bytes)

**Cycles:** 1

## MOVW – Copy Register Word

### Description:

This instruction makes a copy of one register pair into another register pair. The source register pair Rr+1:Rr is left unchanged, while the destination register pair Rd+1:Rd is loaded with a copy of Rr + 1:Rr.

This instruction is not available in all devices. Refer to the device specific instruction set summary.

### Operation:

(i)  $Rd+1:Rd \leftarrow Rr+1:Rr$

### Syntax:

### Operands:

(i) MOVW Rd+1:Rd,Rr+1Rrd  $\in \{0,2,\dots,30\}$ ,  $r \in \{0,2,\dots,30\}$

### Program Counter:

$PC \leftarrow PC + 1$

### 16-bit Opcode:

0000	0001	dddd	rrrr
------	------	------	------

### Status Register (SREG) and Boolean Formula:

I	T	H	S	V	N	Z	C
-	-	-	-	-	-	-	-

### Example:

```

movw  r17:16,r1:r0 ; Copy r1:r0 to r17:r16
call  check        ; Call subroutine
...
check: cpi  r16,$11 ; Compare r16 to $11
...
cpi  r17,$32      ; Compare r17 to $32
...
ret                               ; Return from subroutine
    
```

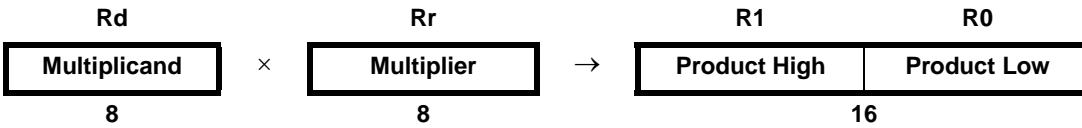
**Words:** 1 (2 bytes)

**Cycles:** 1

## MUL – Multiply Unsigned

### Description:

This instruction performs 8-bit × 8-bit → 16-bit unsigned multiplication.



The multiplicand **Rd** and the multiplier **Rr** are two registers containing unsigned numbers. The 16-bit unsigned product is placed in **R1** (high byte) and **R0** (low byte). Note that if the multiplicand or the multiplier is selected from **R0** or **R1** the result will overwrite those after multiplication.

This instruction is not available in all devices. Refer to the device specific instruction set summary.

### Operation:

- (i)  $R1:R0 \leftarrow Rd \times Rr$  (unsigned ← unsigned × unsigned)

### Syntax:

- (i) MUL Rd,Rr

### Operands:

- $0 \leq d \leq 31, 0 \leq r \leq 31$

### Program Counter:

- $PC \leftarrow PC + 1$

### 16-bit Opcode:

1001	11rd	dddd	rrrr
------	------	------	------

### Status Register (SREG) and Boolean Formula:

I	T	H	S	V	N	Z	C
-	-	-	-	-	-	↔	↔

**C:** R15  
Set if bit 15 of the result is set; cleared otherwise.

**Z:**  $\overline{R15} \bullet \overline{R14} \bullet \overline{R13} \bullet \overline{R12} \bullet \overline{R11} \bullet \overline{R10} \bullet \overline{R9} \bullet \overline{R8} \bullet \overline{R7} \bullet \overline{R6} \bullet \overline{R5} \bullet \overline{R4} \bullet \overline{R3} \bullet \overline{R2} \bullet \overline{R1} \bullet \overline{R0}$   
Set if the result is \$0000; cleared otherwise.

**R** (Result) equals R1,R0 after the operation.

### Example:

```
mul r5,r4 ; Multiply unsigned r5 and r4
movw r4,r0 ; Copy result back in r5:r4
```

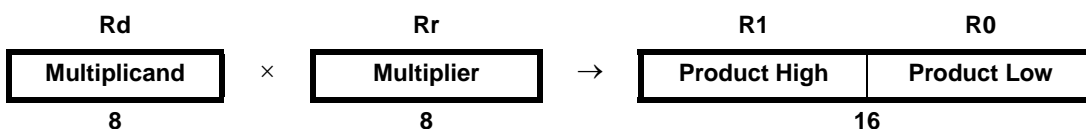
**Words:** 1 (2 bytes)

**Cycles:** 2

## MULS – Multiply Signed

### Description:

This instruction performs 8-bit × 8-bit → 16-bit signed multiplication.



The multiplicand *Rd* and the multiplier *Rr* are two registers containing signed numbers. The 16-bit signed product is placed in *R1* (high byte) and *R0* (low byte).

This instruction is not available in all devices. Refer to the device specific instruction set summary.

### Operation:

- (i)  $R1:R0 \leftarrow Rd \times Rr$  (signed ← signed × signed)

### Syntax:

- (i) `MULS Rd,Rr`

### Operands:

- $16 \leq d \leq 31, 16 \leq r \leq 31$

### Program Counter:

- $PC \leftarrow PC + 1$

### 16-bit Opcode:

0000	0010	dddd	rrrr
------	------	------	------

### Status Register (SREG) and Boolean Formula:

I	T	H	S	V	N	Z	C
-	-	-	-	-	-	↔	↔

**C:** R15  
Set if bit 15 of the result is set; cleared otherwise.

**Z:**  $\overline{R15} \cdot \overline{R14} \cdot \overline{R13} \cdot \overline{R12} \cdot \overline{R11} \cdot \overline{R10} \cdot \overline{R9} \cdot \overline{R8} \cdot \overline{R7} \cdot \overline{R6} \cdot \overline{R5} \cdot \overline{R4} \cdot \overline{R3} \cdot \overline{R2} \cdot \overline{R1} \cdot \overline{R0}$   
Set if the result is \$0000; cleared otherwise.

**R** (Result) equals R1,R0 after the operation.

### Example:

```

mul  r21,r20 ; Multiply signed r21 and r20
movw r20,r0  ; Copy result back in r21:r20
    
```

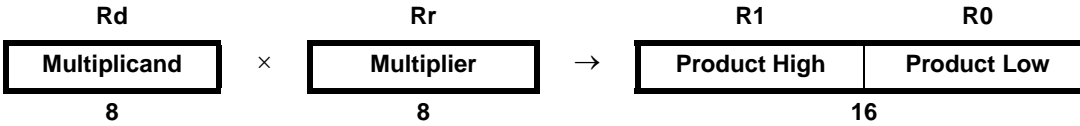
**Words:** 1 (2 bytes)

**Cycles:** 2

## MULSU – Multiply Signed with Unsigned

### Description:

This instruction performs 8-bit × 8-bit → 16-bit multiplication of a signed and an unsigned number.



The multiplicand Rd and the multiplier Rr are two registers. The multiplicand Rd is a signed number, and the multiplier Rr is unsigned. The 16-bit signed product is placed in R1 (high byte) and R0 (low byte).

This instruction is not available in all devices. Refer to the device specific instruction set summary.

### Operation:

- (i) R1:R0 ← Rd × Rr (signed ← signed × unsigned)

### Syntax:

- (i) MULSU Rd,Rr

### Operands:

- 16 ≤ d ≤ 23, 16 ≤ r ≤ 23

### Program Counter:

- PC ← PC + 1

### 16-bit Opcode:

0000	0011	0ddd	0rrr
------	------	------	------

### Status Register (SREG) and Boolean Formula:

I	T	H	S	V	N	Z	C
–	–	–	–	–	–	↔	↔

C: R15  
Set if bit 15 of the result is set; cleared otherwise.

Z:  $\overline{R15} \cdot \overline{R14} \cdot \overline{R13} \cdot \overline{R12} \cdot \overline{R11} \cdot \overline{R10} \cdot \overline{R9} \cdot \overline{R8} \cdot \overline{R7} \cdot \overline{R6} \cdot \overline{R5} \cdot \overline{R4} \cdot \overline{R3} \cdot \overline{R2} \cdot \overline{R1} \cdot \overline{R0}$   
Set if the result is \$0000; cleared otherwise.

R (Result) equals R1,R0 after the operation.

### Example:

```

;*****
;* DESCRIPTION
;*Signed multiply of two 16-bit numbers with 32-bit result.
;* USAGE
;*r19:r18:r17:r16 = r23:r22 * r21:r20
;*****
mulsr23, r21; (signed)ah * (signed)bh

```

```
movwr19:r18, r1:r0
mulr22, r20; al * bl
movwr17:r16, r1:r0
mulsur23, r20; (signed)ah * bl
sbcr19, r2
addr17, r0
adcr18, r1
adcr19, r2
mulsur21, r22; (signed)bh * al
sbcr19, r2
addr17, r0
adcr18, r1
adcr19, r2
ret
```

**Words:** 1 (2 bytes)

**Cycles:** 2

## NEG – Two's Complement

### Description:

Replaces the contents of register Rd with its two's complement; the value \$80 is left unchanged.

#### Operation:

$$(i) \quad R_d \leftarrow \$00 - R_d$$

#### Syntax:

(i) NEG Rd

#### Operands:

$0 \leq d \leq 31$

#### Program Counter:

$PC \leftarrow PC + 1$

#### 16-bit Opcode:

1001	010d	dddd	0001
------	------	------	------

### Status Register (SREG) and Boolean Formula:

I	T	H	S	V	N	Z	C
-	-	$\leftrightarrow$	$\leftrightarrow$	$\leftrightarrow$	$\leftrightarrow$	$\leftrightarrow$	$\leftrightarrow$

H:  $R3 + R_d3$   
Set if there was a borrow from bit 3; cleared otherwise

S:  $N \oplus V$   
For signed tests.

V:  $R7 \cdot \overline{R6} \cdot \overline{R5} \cdot \overline{R4} \cdot \overline{R3} \cdot \overline{R2} \cdot \overline{R1} \cdot \overline{R0}$   
Set if there is a two's complement overflow from the implied subtraction from zero; cleared otherwise. A two's complement overflow will occur if and only if the contents of the Register after operation (Result) is \$80.

N: R7  
Set if MSB of the result is set; cleared otherwise.

Z:  $\overline{R7} \cdot \overline{R6} \cdot \overline{R5} \cdot \overline{R4} \cdot \overline{R3} \cdot \overline{R2} \cdot \overline{R1} \cdot \overline{R0}$   
Set if the result is \$00; Cleared otherwise.

C:  $R7 + R6 + R5 + R4 + R3 + R2 + R1 + R0$   
Set if there is a borrow in the implied subtraction from zero; cleared otherwise. The C Flag will be set in all cases except when the contents of Register after operation is \$00.

R (Result) equals Rd after the operation.

### Example:

```

sub   r11,r0      ; Subtract r0 from r11
brpl  positive   ; Branch if result positive
neg   r11        ; Take two's complement of r11
positive: nop     ; Branch destination (do nothing)

```

**Words:** 1 (2 bytes)

**Cycles:** 1



## NOP – No Operation

---

### Description:

This instruction performs a single cycle No Operation.

#### Operation:

(i) No

#### Syntax:

(i) NOP

#### Operands:

None

#### Program Counter:

PC ← PC + 1

#### 16-bit Opcode:

0000	0000	0000	0000
------	------	------	------

### Status Register (SREG) and Boolean Formula:

I	T	H	S	V	N	Z	C
-	-	-	-	-	-	-	-

### Example:

```

clr    r16    ; Clear r16
ser    r17    ; Set r17
out    $18,r16 ; Write zeros to Port B
nop                    ; Wait (do nothing)
out    $18,r17 ; Write ones to Port B
    
```

**Words:** 1 (2 bytes)

**Cycles:** 1

## OR – Logical OR

### Description:

Performs the logical OR between the contents of register Rd and register Rr and places the result in the destination register Rd.

#### Operation:

(i)  $Rd \leftarrow Rd \vee Rr$

#### Syntax:

(i) OR Rd,Rr

#### Operands:

$0 \leq d \leq 31, 0 \leq r \leq 31$

#### Program Counter:

$PC \leftarrow PC + 1$

#### 16-bit Opcode:

0010	10rd	dddd	rrrr
------	------	------	------

### Status Register (SREG) and Boolean Formula:

I	T	H	S	V	N	Z	C
-	-	-	$\leftrightarrow$	0	$\leftrightarrow$	$\leftrightarrow$	-

S:  $N \oplus V$ , For signed tests.

V: 0  
Cleared

N: R7  
Set if MSB of the result is set; cleared otherwise.

Z:  $\overline{R7} \cdot \overline{R6} \cdot \overline{R5} \cdot \overline{R4} \cdot \overline{R3} \cdot \overline{R2} \cdot \overline{R1} \cdot \overline{R0}$   
Set if the result is \$00; cleared otherwise.

R (Result) equals Rd after the operation.

### Example:

```

or      r15,r16    ; Do bitwise or between registers
bst     r15,6      ; Store bit 6 of r15 in T Flag
brts   ok         ; Branch if T Flag set
...
ok:     nop        ; Branch destination (do nothing)

```

Words: 1 (2 bytes)

Cycles: 1

## ORI – Logical OR with Immediate

### Description:

Performs the logical OR between the contents of register Rd and a constant and places the result in the destination register Rd.

#### Operation:

(i)  $Rd \leftarrow Rd \vee K$

#### Syntax:

(i) ORI Rd,K

#### Operands:

$16 \leq d \leq 31, 0 \leq K \leq 255$

#### Program Counter:

$PC \leftarrow PC + 1$

#### 16-bit Opcode:

0110	KKKK	dddd	KKKK
------	------	------	------

### Status Register (SREG) and Boolean Formula:

I	T	H	S	V	N	Z	C
-	-	-	$\leftrightarrow$	0	$\leftrightarrow$	$\leftrightarrow$	-

S:  $N \oplus V$ , For signed tests.

V: 0  
Cleared

N: R7  
Set if MSB of the result is set; cleared otherwise.

Z:  $\overline{R7} \cdot \overline{R6} \cdot \overline{R5} \cdot \overline{R4} \cdot \overline{R3} \cdot \overline{R2} \cdot \overline{R1} \cdot \overline{R0}$   
Set if the result is \$00; cleared otherwise.

R (Result) equals Rd after the operation.

#### Example:

```
ori    r16,$F0    ; Set high nibble of r16
ori    r17,1      ; Set bit 0 of r17
```

Words: 1 (2 bytes)

Cycles: 1

## OUT – Store Register to I/O Location

---

### Description:

Stores data from register Rr in the Register File to I/O Space (Ports, Timers, Configuration Registers etc.).

#### Operation:

(i) I/O(A) ← Rr

#### Syntax:

(i) OUT A,Rr

#### Operands:

$0 \leq r \leq 31, 0 \leq A \leq 63$

#### Program Counter:

PC ← PC + 1

#### 16-bit Opcode:

1011	1AAr	rrrr	AAAA
------	------	------	------

### Status Register (SREG) and Boolean Formula:

I	T	H	S	V	N	Z	C
-	-	-	-	-	-	-	-

### Example:

```

clr  r16      ; Clear r16
ser  r17      ; Set r17
out  $18,r16  ; Write zeros to Port B
nop                    ; Wait (do nothing)
out  $18,r17  ; Write ones to Port B
    
```

**Words:** 1 (2 bytes)

**Cycles:** 1

## POP – Pop Register from Stack

### Description:

This instruction loads register Rd with a byte from the STACK. The Stack Pointer is pre-incremented by 1 before the POP. This instruction is not available in all devices. Refer to the device specific instruction set summary.

#### Operation:

(i)  $Rd \leftarrow \text{STACK}$

#### Syntax:

(i) POP Rd

#### Operands:

$0 \leq d \leq 31$

#### Program Counter:

$PC \leftarrow PC + 1$

#### Stack:

$SP \leftarrow SP + 1$

#### 16-bit Opcode:

1001	000d	ddd	1111
------	------	-----	------

### Status Register (SREG) and Boolean Formula:

I	T	H	S	V	N	Z	C
-	-	-	-	-	-	-	-

### Example:

```

call    routine    ; Call subroutine
...
routine: push    r14    ; Save r14 on the Stack
        push    r13    ; Save r13 on the Stack
        ...
        pop     r13    ; Restore r13
        pop     r14    ; Restore r14
        ret      ; Return from subroutine
    
```

**Words:** 1 (2 bytes)

**Cycles:** 2

## PUSH – Push Register on Stack

### Description:

This instruction stores the contents of register Rr on the STACK. The Stack Pointer is post-decremented by 1 after the PUSH.

This instruction is not available in all devices. Refer to the device specific instruction set summary.

#### Operation:

(i) STACK ← Rr

#### Syntax:

(i) PUSH Rr

#### Operands:

$0 \leq r \leq 31$

#### Program Counter:

PC ← PC + 1

#### Stack:

SP ← SP - 1

#### 16-bit Opcode:

1001	001d	ddd	1111
------	------	-----	------

### Status Register (SREG) and Boolean Formula:

I	T	H	S	V	N	Z	C
-	-	-	-	-	-	-	-

### Example:

```

call    routine ; Call subroutine
...
routine: push  r14    ; Save r14 on the Stack
        push  r13    ; Save r13 on the Stack
...
        pop   r13    ; Restore r13
        pop   r14    ; Restore r14
        ret                    ; Return from subroutine

```

**Words :** 1 (2 bytes)

**Cycles :** 2

**Cycles XMEGA:** 1

## RCALL – Relative Call to Subroutine

### Description:

Relative call to an address within  $PC - 2K + 1$  and  $PC + 2K$  (words). The return address (the instruction after the RCALL) is stored onto the Stack. See also CALL. For AVR microcontrollers with Program memory not exceeding 4K words (8K bytes) this instruction can address the entire memory from every address location. The Stack Pointer uses a post-decrement scheme during RCALL.

### Operation:

- (i)  $PC \leftarrow PC + k + 1$  Devices with 16 bits PC, 128K bytes Program memory maximum.
- (ii)  $PC \leftarrow PC + k + 1$  Devices with 22 bits PC, 8M bytes Program memory maximum.

	Syntax:	Operands:	Program Counter:	Stack:
(i)	RCALL k	$-2K \leq k < 2K$	$PC \leftarrow PC + k + 1$	STACK $\leftarrow PC + 1$ SP $\leftarrow SP - 2$ (2 bytes, 16 bits)
(ii)	RCALL k	$-2K \leq k < 2K$	$PC \leftarrow PC + k + 1$	STACK $\leftarrow PC + 1$ SP $\leftarrow SP - 3$ (3 bytes, 22 bits)

### 16-bit Opcode:

1101	kkkk	kkkk	kkkk
------	------	------	------

### Status Register (SREG) and Boolean Formula:

I	T	H	S	V	N	Z	C
-	-	-	-	-	-	-	-

### Example:

```

rcall routine ; Call subroutine
...
routine: push r14 ; Save r14 on the Stack
...
pop r14 ; Restore r14
ret ; Return from subroutine
    
```

**Words :** 1 (2 bytes)  
**Cycles :** 3, devices with 16 bit PC  
 4, devices with 22 bit PC  
**Cycles XMEGA:** 2, devices with 16 bit PC  
 3, devices with 22 bit PC  
**Cycles ATtiny10:** 4

## RET – Return from Subroutine

---

### Description:

Returns from subroutine. The return address is loaded from the STACK. The Stack Pointer uses a pre-increment scheme during RET.

### Operation:

- (i) PC(15:0) ← STACKDevices with 16 bits PC, 128K bytes Program memory maximum.
- (ii) PC(21:0) ← STACKDevices with 22 bits PC, 8M bytes Program memory maximum.

	Syntax:	Operands:	Program Counter:	Stack:
(i)	RET	None	See Operation	SP←SP + 2, (2bytes,16 bits)
(ii)	RET	None	See Operation	SP←SP + 3, (3bytes,22 bits)

### 16-bit Opcode:

1001	0101	0000	1000
------	------	------	------

### Status Register (SREG) and Boolean Formula:

I	T	H	S	V	N	Z	C
-	-	-	-	-	-	-	-

### Example:

```

        call  routine    ; Call subroutine
        ...
routine:  push  r14      ; Save r14 on the Stack
        ...
        pop   r14      ; Restore r14
        ret   ; Return from subroutine
    
```

**Words:** 1 (2 bytes)

**Cycles:** 4 devices with 16-bit PC  
5 devices with 22-bit PC



## RETI – Return from Interrupt

### Description:

Returns from interrupt. The return address is loaded from the STACK and the Global Interrupt Flag is set.

Note that the Status Register is not automatically stored when entering an interrupt routine, and it is not restored when returning from an interrupt routine. This must be handled by the application program. The Stack Pointer uses a pre-increment scheme during RETI.

### Operation:

- (i) PC(15:0) ← STACKDevices with 16 bits PC, 128K bytes Program memory maximum.
- (ii) PC(21:0) ← STACKDevices with 22 bits PC, 8M bytes Program memory maximum.

	Syntax:	Operands:	Program Counter:	Stack
(i)	RETI	None	See Operation	SP ← SP + 2 (2 bytes, 16 bits)
(ii)	RETI	None	See Operation	SP ← SP + 3 (3 bytes, 22 bits)

### 16-bit Opcode:

1001	0101	0001	1000
------	------	------	------

### Status Register (SREG) and Boolean Formula:

I	T	H	S	V	N	Z	C
1	-	-	-	-	-	-	-

I: 1  
The I Flag is set.

### Example:

```

...
extint:  push  r0      ; Save r0 on the Stack
...
         pop   r0      ; Restore r0
         reti                ; Return and enable interrupts
    
```

**Words:** 1 (2 bytes)

**Cycles:** 4 devices with 16-bit PC  
5 devices with 22-bit PC

## RJMP – Relative Jump

---

### Description:

Relative jump to an address within  $PC - 2K + 1$  and  $PC + 2K$  (words). For AVR microcontrollers with Program memory not exceeding 4K words (8K bytes) this instruction can address the entire memory from every address location. See also JMP.

#### Operation:

(i)  $PC \leftarrow PC + k + 1$

#### Syntax:

(i) RJMP k

#### Operands:

$-2K \leq k < 2K$

#### Program Counter:

$PC \leftarrow PC + k + 1$

#### Stack

Unchanged

#### 16-bit Opcode:

1100	kkkk	kkkk	kkkk
------	------	------	------

### Status Register (SREG) and Boolean Formula:

I	T	H	S	V	N	Z	C
-	-	-	-	-	-	-	-

### Example:

```

    cpi    r16,$42    ; Compare r16 to $42
    brne   error     ; Branch if r16 <> $42
    rjmp   ok        ; Unconditional branch
error:   add    r16,r17 ; Add r17 to r16
        inc    r16    ; Increment r16
ok:      nop                ; Destination for rjmp (do nothing)

```

**Words:** 1 (2 bytes)

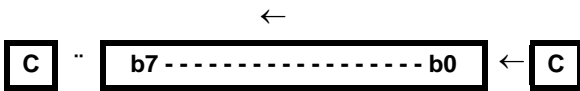
**Cycles:** 2

## ROL – Rotate Left through Carry

### Description:

Shifts all bits in Rd one place to the left. The C Flag is shifted into bit 0 of Rd. Bit 7 is shifted into the C Flag. This operation, combined with LSL, effectively multiplies multi-byte signed and unsigned values by two.

### Operation:



**Syntax:** ROL Rd  
**Operands:**  $0 \leq d \leq 31$   
**Program Counter:**  $PC \leftarrow PC + 1$

**16-bit Opcode:** (see ADC Rd,Rd)

0001	11dd	dddd	dddd
------	------	------	------

### Status Register (SREG) and Boolean Formula:

I	T	H	S	V	N	Z	C
-	-	$\leftrightarrow$	$\leftrightarrow$	$\leftrightarrow$	$\leftrightarrow$	$\leftrightarrow$	$\leftrightarrow$

H: Rd3

S:  $N \oplus V$ , For signed tests.

V:  $N \oplus C$  (For N and C after the shift)

N: R7  
Set if MSB of the result is set; cleared otherwise.

Z:  $\overline{R7} \cdot \overline{R6} \cdot \overline{R5} \cdot \overline{R4} \cdot \overline{R3} \cdot \overline{R2} \cdot \overline{R1} \cdot \overline{R0}$   
Set if the result is \$00; cleared otherwise.

C: Rd7  
Set if, before the shift, the MSB of Rd was set; cleared otherwise.

R (Result) equals Rd after the operation.

### Example:

```
lsl  r18      ; Multiply r19:r18 by two
rol  r19      ; r19:r18 is a signed or unsigned two-byte integer
brcs oneenc  ; Branch if carry set
...
oneenc: nop   ; Branch destination (do nothing)
```

**Words:** 1 (2 bytes)

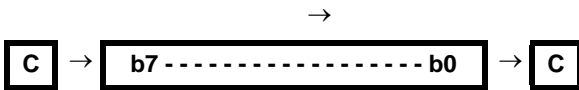
**Cycles:** 1

## ROR – Rotate Right through Carry

### Description:

Shifts all bits in Rd one place to the right. The C Flag is shifted into bit 7 of Rd. Bit 0 is shifted into the C Flag. This operation, combined with ASR, effectively divides multi-byte signed values by two. Combined with LSR it effectively divides multi-byte unsigned values by two. The Carry Flag can be used to round the result.

### Operation:



**Syntax:** ROR Rd  
**Operands:**  $0 \leq d \leq 31$   
**Program Counter:**  $PC \leftarrow PC + 1$

### 16-bit Opcode:

1001	010d	dddd	0111
------	------	------	------

### Status Register (SREG) and Boolean Formula:

I	T	H	S	V	N	Z	C
-	-	-	↔	↔	↔	↔	↔

**S:**  $N \oplus V$ , For signed tests.

**V:**  $N \oplus C$  (For N and C after the shift)

**N:** R7  
 Set if MSB of the result is set; cleared otherwise.

**Z:**  $\overline{R7} \cdot \overline{R6} \cdot \overline{R5} \cdot \overline{R4} \cdot \overline{R3} \cdot \overline{R2} \cdot \overline{R1} \cdot \overline{R0}$   
 Set if the result is \$00; cleared otherwise.

**C:** Rd0  
 Set if, before the shift, the LSB of Rd was set; cleared otherwise.

R (Result) equals Rd after the operation.

### Example:

```

lsr  r19          ; Divide r19:r18 by two
ror  r18          ; r19:r18 is an unsigned two-byte integer
brcc zeroenc1    ; Branch if carry cleared
asr  r17          ; Divide r17:r16 by two
ror  r16          ; r17:r16 is a signed two-byte integer
brcc zeroenc2    ; Branch if carry cleared
...
zeroenc1: nop    ; Branch destination (do nothing)
...
  
```

```
zeroenc1:  nop                ; Branch destination (do nothing)
```

**Words:** 1 (2 bytes)

**Cycles:** 1

## SBC – Subtract with Carry

### Description:

Subtracts two registers and subtracts with the C Flag and places the result in the destination register Rd.

#### Operation:

$$(i) \quad R_d \leftarrow R_d - R_r - C$$

#### Syntax:

(i) SBC Rd,Rr

#### Operands:

$0 \leq d \leq 31, 0 \leq r \leq 31$

#### Program Counter:

$PC \leftarrow PC + 1$

#### 16-bit Opcode:

0000	10rd	dddd	rrrr
------	------	------	------

### Status Register and Boolean Formula:

I	T	H	S	V	N	Z	C
-	-	↔	↔	↔	↔	↔	↔

H:  $\overline{Rd3} \bullet Rr3 + Rr3 \bullet R3 + R3 \bullet \overline{Rd3}$   
Set if there was a borrow from bit 3; cleared otherwise

S:  $N \oplus V$ , For signed tests.

V:  $Rd7 \bullet \overline{Rr7} \bullet \overline{R7} + \overline{Rd7} \bullet Rr7 \bullet R7$   
Set if two's complement overflow resulted from the operation; cleared otherwise.

N: R7  
Set if MSB of the result is set; cleared otherwise.

Z:  $\overline{R7} \bullet \overline{R6} \bullet \overline{R5} \bullet \overline{R4} \bullet \overline{R3} \bullet \overline{R2} \bullet \overline{R1} \bullet \overline{R0} \bullet Z$   
Previous value remains unchanged when the result is zero; cleared otherwise.

C:  $\overline{Rd7} \bullet Rr7 + Rr7 \bullet R7 + R7 \bullet \overline{Rd7}$   
Set if the absolute value of the contents of Rr plus previous carry is larger than the absolute value of the Rd; cleared otherwise.

R (Result) equals Rd after the operation.

### Example:

```

; Subtract r1:r0 from r3:r2
sub    r2,r0    ; Subtract low byte
sbc    r3,r1    ; Subtract with carry high byte

```

Words: 1 (2 bytes)

Cycles: 1

## SBCI – Subtract Immediate with Carry

### Description:

Subtracts a constant from a register and subtracts with the C Flag and places the result in the destination register Rd.

#### Operation:

$$(i) \quad R_d \leftarrow R_d - K - C$$

#### Syntax:

(i) SBCI Rd,K

#### Operands:

$16 \leq d \leq 31, 0 \leq K \leq 255$

#### Program Counter:

$PC \leftarrow PC + 1$

#### 16-bit Opcode:

0100	KKKK	dddd	KKKK
------	------	------	------

### Status Register and Boolean Formula:

I	T	H	S	V	N	Z	C
-	-	↔	↔	↔	↔	↔	↔

H:  $\overline{Rd3} \bullet K3 + K3 \bullet R3 + R3 \bullet \overline{Rd3}$   
Set if there was a borrow from bit 3; cleared otherwise

S:  $N \oplus V$ , For signed tests.

V:  $Rd7 \bullet \overline{K7} \bullet \overline{R7} + \overline{Rd7} \bullet K7 \bullet R7$   
Set if two's complement overflow resulted from the operation; cleared otherwise.

N: R7  
Set if MSB of the result is set; cleared otherwise.

Z:  $\overline{R7} \bullet \overline{R6} \bullet \overline{R5} \bullet \overline{R4} \bullet \overline{R3} \bullet \overline{R2} \bullet \overline{R1} \bullet \overline{R0} \bullet Z$   
Previous value remains unchanged when the result is zero; cleared otherwise.

C:  $\overline{Rd7} \bullet K7 + K7 \bullet R7 + R7 \bullet \overline{Rd7}$   
Set if the absolute value of the constant plus previous carry is larger than the absolute value of Rd; cleared otherwise.

R (Result) equals Rd after the operation.

### Example:

```

; Subtract $4F23 from r17:r16
subi r16,$23 ; Subtract low byte
sbci r17,$4F ; Subtract with carry high byte
    
```

**Words:** 1 (2 bytes)

**Cycles:** 1

## SBI – Set Bit in I/O Register

---

### Description:

Sets a specified bit in an I/O Register. This instruction operates on the lower 32 I/O Registers – addresses 0-31.

#### Operation:

(i)  $I/O(A,b) \leftarrow 1$

#### Syntax:

(i) SBI A,b

#### Operands:

$0 \leq A \leq 31, 0 \leq b \leq 7$

#### Program Counter:

$PC \leftarrow PC + 1$

#### 16-bit Opcode:

1001	1010	AAAA	Abbb
------	------	------	------

### Status Register (SREG) and Boolean Formula:

I	T	H	S	V	N	Z	C
-	-	-	-	-	-	-	-

### Example:

```

out  $1E,r0    ; Write EEPROM address
sbi  $1C,0     ; Set read bit in EECR
in   r1,$1D   ; Read EEPROM data
  
```

**Words :** 1 (2 bytes)

**Cycles :** 2

**Cycles XMEGA:** 1

**Cycles ATtiny10:** 1



## SBIC – Skip if Bit in I/O Register is Cleared

### Description:

This instruction tests a single bit in an I/O Register and skips the next instruction if the bit is cleared. This instruction operates on the lower 32 I/O Registers – addresses 0-31.

### Operation:

- (i) If  $I/O(A,b) = 0$  then  $PC \leftarrow PC + 2$  (or 3) else  $PC \leftarrow PC + 1$

### Syntax:

- (i) SBIC A,b

### Operands:

$0 \leq A \leq 31, 0 \leq b \leq 7$

### Program Counter:

$PC \leftarrow PC + 1$ , Condition false - no skip  
 $PC \leftarrow PC + 2$ , Skip a one word instruction  
 $PC \leftarrow PC + 3$ , Skip a two word instruction

### 16-bit Opcode:

1001	1001	AAAA	Abbb
------	------	------	------

### Status Register (SREG) and Boolean Formula:

I	T	H	S	V	N	Z	C
-	-	-	-	-	-	-	-

### Example:

```
e2wait: sbic $1C,1      ; Skip next inst. if EWE cleared
        rjmp e2wait    ; EEPROM write not finished
        nop            ; Continue (do nothing)
```

**Words :** 1 (2 bytes)

**Cycles :** 1 if condition is false (no skip)  
 2 if condition is true (skip is executed) and the instruction skipped is 1 word  
 3 if condition is true (skip is executed) and the instruction skipped is 2 words

**Cycles XMEGA:** 2 if condition is false (no skip)  
 3 if condition is true (skip is executed) and the instruction skipped is 1 word  
 4 if condition is true (skip is executed) and the instruction skipped is 2 words

## SBIS – Skip if Bit in I/O Register is Set

### Description:

This instruction tests a single bit in an I/O Register and skips the next instruction if the bit is set. This instruction operates on the lower 32 I/O Registers – addresses 0-31.

#### Operation:

- (i) If  $I/O(A,b) = 1$  then  $PC \leftarrow PC + 2$  (or 3) else  $PC \leftarrow PC + 1$

#### Syntax:

- (i) SBIS A,b

#### Operands:

$0 \leq A \leq 31, 0 \leq b \leq 7$

#### Program Counter:

$PC \leftarrow PC + 1$ , Condition false - no skip  
 $PC \leftarrow PC + 2$ , Skip a one word instruction  
 $PC \leftarrow PC + 3$ , Skip a two word instruction

#### 16-bit Opcode:

1001	1011	AAAA	Abbb
------	------	------	------

### Status Register (SREG) and Boolean Formula:

I	T	H	S	V	N	Z	C
-	-	-	-	-	-	-	-

### Example:

```
waitset: sbis $10,0      ; Skip next inst. if bit 0 in Port D set
         rjmp waitset   ; Bit not set
         nop            ; Continue (do nothing)
```

**Words :** 1 (2 bytes)

**Cycles :** 1 if condition is false (no skip)  
 2 if condition is true (skip is executed) and the instruction skipped is 1 word  
 3 if condition is true (skip is executed) and the instruction skipped is 2 words

**Cycles XMEGA:** 2 if condition is false (no skip)  
 3 if condition is true (skip is executed) and the instruction skipped is 1 word  
 4 if condition is true (skip is executed) and the instruction skipped is 2 words

## SBIW – Subtract Immediate from Word

### Description:

Subtracts an immediate value (0-63) from a register pair and places the result in the register pair. This instruction operates on the upper four register pairs, and is well suited for operations on the Pointer Registers.

This instruction is not available in all devices. Refer to the device specific instruction set summary.

### Operation:

(i)  $Rd+1:Rd \leftarrow Rd+1:Rd - K$

### Syntax:

(i) SBIW Rd+1:Rd,K  $d \in \{24,26,28,30\}, 0 \leq K \leq 63$

### Operands:

### Program Counter:

$PC \leftarrow PC + 1$

### 16-bit Opcode:

1001	0111	KKdd	KKKK
------	------	------	------

### Status Register (SREG) and Boolean Formula:

I	T	H	S	V	N	Z	C
-	-	-	$\Leftrightarrow$	$\Leftrightarrow$	$\Leftrightarrow$	$\Leftrightarrow$	$\Leftrightarrow$

S:  $N \oplus V$ , For signed tests.

V:  $Rdh7 \bullet \overline{R15}$   
Set if two's complement overflow resulted from the operation; cleared otherwise.

N: R15  
Set if MSB of the result is set; cleared otherwise.

Z:  $\overline{R15} \bullet \overline{R14} \bullet \overline{R13} \bullet \overline{R12} \bullet \overline{R11} \bullet \overline{R10} \bullet \overline{R9} \bullet \overline{R8} \bullet \overline{R7} \bullet \overline{R6} \bullet \overline{R5} \bullet \overline{R4} \bullet \overline{R3} \bullet \overline{R2} \bullet \overline{R1} \bullet \overline{R0}$   
Set if the result is \$0000; cleared otherwise.

C:  $R15 \bullet \overline{Rdh7}$   
Set if the absolute value of K is larger than the absolute value of Rd; cleared otherwise.

R (Result) equals Rdh:Rdl after the operation ( $Rdh7-Rdh0 = R15-R8, Rdl7-Rdl0=R7-R0$ ).

### Example:

```
sbiw r25:r24,1 ; Subtract 1 from r25:r24
sbiw YH:YL,63 ; Subtract 63 from the Y-pointer(r29:r28)
```

**Words:** 1 (2 bytes)

**Cycles:** 2

## SBR – Set Bits in Register

### Description:

Sets specified bits in register Rd. Performs the logical ORI between the contents of register Rd and a constant mask K and places the result in the destination register Rd.

#### Operation:

(i)  $Rd \leftarrow Rd \vee K$

#### Syntax:

(i) SBR Rd,K

#### Operands:

$16 \leq d \leq 31, 0 \leq K \leq 255$

#### Program Counter:

$PC \leftarrow PC + 1$

#### 16-bit Opcode:

0110	KKKK	dddd	KKKK
------	------	------	------

### Status Register (SREG) and Boolean Formula:

I	T	H	S	V	N	Z	C
-	-	-	$\leftrightarrow$	0	$\leftrightarrow$	$\leftrightarrow$	-

S:  $N \oplus V$ , For signed tests.

V: 0  
Cleared

N: R7  
Set if MSB of the result is set; cleared otherwise.

Z:  $\overline{R7} \cdot \overline{R6} \cdot \overline{R5} \cdot \overline{R4} \cdot \overline{R3} \cdot \overline{R2} \cdot \overline{R1} \cdot \overline{R0}$   
Set if the result is \$00; cleared otherwise.

R (Result) equals Rd after the operation.

#### Example:

```
sbr r16,3 ; Set bits 0 and 1 in r16
sbr r17,$F0 ; Set 4 MSB in r17
```

Words: 1 (2 bytes)

Cycles: 1

## SBRC – Skip if Bit in Register is Cleared

### Description:

This instruction tests a single bit in a register and skips the next instruction if the bit is cleared.

#### Operation:

- (i) If  $Rr(b) = 0$  then  $PC \leftarrow PC + 2$  (or 3) else  $PC \leftarrow PC + 1$

#### Syntax:

- (i) SBRC Rr,b

#### Operands:

$0 \leq r \leq 31, 0 \leq b \leq 7$

#### Program Counter:

$PC \leftarrow PC + 1$ , Condition false - no skip  
 $PC \leftarrow PC + 2$ , Skip a one word instruction  
 $PC \leftarrow PC + 3$ , Skip a two word instruction

#### 16-bit Opcode:

1111	110r	rrrr	0bbb
------	------	------	------

#### Status Register (SREG) and Boolean Formula:

I	T	H	S	V	N	Z	C
-	-	-	-	-	-	-	-

#### Example:

```
sub  r0,r1    ; Subtract r1 from r0
sbrc r0,7    ; Skip if bit 7 in r0 cleared
sub  r0,r1    ; Only executed if bit 7 in r0 not cleared
nop          ; Continue (do nothing)
```

**Words:** 1 (2 bytes)

**Cycles:** 1 if condition is false (no skip)

2 if condition is true (skip is executed) and the instruction skipped is 1 word

3 if condition is true (skip is executed) and the instruction skipped is 2 words

## SBRS – Skip if Bit in Register is Set

### Description:

This instruction tests a single bit in a register and skips the next instruction if the bit is set.

#### Operation:

- (i) If  $Rr(b) = 1$  then  $PC \leftarrow PC + 2$  (or 3) else  $PC \leftarrow PC + 1$

#### Syntax:

- (i) SBRS Rr,b

#### Operands:

$0 \leq r \leq 31, 0 \leq b \leq 7$

#### Program Counter:

$PC \leftarrow PC + 1$ , Condition false - no skip  
 $PC \leftarrow PC + 2$ , Skip a one word instruction  
 $PC \leftarrow PC + 3$ , Skip a two word instruction

#### 16-bit Opcode:

1111	111r	rrrr	0bbb
------	------	------	------

### Status Register (SREG) and Boolean Formula:

I	T	H	S	V	N	Z	C
-	-	-	-	-	-	-	-

### Example:

```
sub    r0,r1    ; Subtract r1 from r0
sbrs  r0,7     ; Skip if bit 7 in r0 set
neg   r0       ; Only executed if bit 7 in r0 not set
nop                   ; Continue (do nothing)
```

**Words:** 1 (2 bytes)

**Cycles:** 1 if condition is false (no skip)

2 if condition is true (skip is executed) and the instruction skipped is 1 word

3 if condition is true (skip is executed) and the instruction skipped is 2 words

## SEC – Set Carry Flag

### Description:

Sets the Carry Flag (C) in SREG (Status Register).

#### Operation:

(i)  $C \leftarrow 1$

#### Syntax:

(i) SEC

#### Operands:

None

#### Program Counter:

$PC \leftarrow PC + 1$

#### 16-bit Opcode:

1001	0100	0000	1000
------	------	------	------

### Status Register (SREG) and Boolean Formula:

I	T	H	S	V	N	Z	C
-	-	-	-	-	-	-	1

C: 1  
Carry Flag set

### Example:

```
sec          ; Set Carry Flag
adc r0,r1    ; r0=r0+r1+1
```

**Words:** 1 (2 bytes)

**Cycles:** 1

## SEH – Set Half Carry Flag

---

### Description:

Sets the Half Carry (H) in SREG (Status Register).

#### Operation:

(i)  $H \leftarrow 1$

#### Syntax:

(i) SEH

#### Operands:

None

#### Program Counter:

$PC \leftarrow PC + 1$

#### 16-bit Opcode:

1001	0100	0101	1000
------	------	------	------

### Status Register (SREG) and Boolean Formula:

I	T	H	S	V	N	Z	C
-	-	1	-	-	-	-	-

H: 1  
Half Carry Flag set

### Example:

```
seh ; Set Half Carry Flag
```

**Words:** 1 (2 bytes)

**Cycles:** 1



## SEI – Set Global Interrupt Flag

### Description:

Sets the Global Interrupt Flag (I) in SREG (Status Register). The instruction following SEI will be executed before any pending interrupts.

#### Operation:

(i)  $I \leftarrow 1$

#### Syntax:

(i) SEI

#### Operands:

None

#### Program Counter:

$PC \leftarrow PC + 1$

#### 16-bit Opcode:

1001	0100	0111	1000
------	------	------	------

### Status Register (SREG) and Boolean Formula:

I	T	H	S	V	N	Z	C
1	-	-	-	-	-	-	-

I: 1  
Global Interrupt Flag set

### Example:

```
sei           ; set global interrupt enable
sleep        ; enter sleep, waiting for interrupt
             ; note: will enter sleep before any pending interrupt(s)
```

**Words:** 1 (2 bytes)

**Cycles:** 1

## SEN – Set Negative Flag

---

### Description:

Sets the Negative Flag (N) in SREG (Status Register).

#### Operation:

(i)  $N \leftarrow 1$

#### Syntax:

(i) SEN

#### Operands:

None

#### Program Counter:

$PC \leftarrow PC + 1$

#### 16-bit Opcode:

1001	0100	0010	1000
------	------	------	------

### Status Register (SREG) and Boolean Formula:

I	T	H	S	V	N	Z	C
-	-	-	-	-	1	-	-

N: 1  
Negative Flag set

### Example:

```
add r2,r19 ; Add r19 to r2
sen        ; Set Negative Flag
```

**Words:** 1 (2 bytes)

**Cycles:** 1

## SER – Set all Bits in Register

---

### Description:

Loads \$FF directly to register Rd.

#### Operation:

(i)  $Rd \leftarrow \$FF$

#### Syntax:

(i) SER Rd

#### Operands:

$16 \leq d \leq 31$

#### Program Counter:

$PC \leftarrow PC + 1$

#### 16-bit Opcode:

1110	1111	dddd	1111
------	------	------	------

### Status Register (SREG) and Boolean Formula:

I	T	H	S	V	N	Z	C
-	-	-	-	-	-	-	-

### Example:

```

clr  r16      ; Clear r16
ser  r17      ; Set r17
out  $18,r16  ; Write zeros to Port B
nop                    ; Delay (do nothing)
out  $18,r17  ; Write ones to Port B
    
```

**Words:** 1 (2 bytes)

**Cycles:** 1

## SES – Set Signed Flag

---

### Description:

Sets the Signed Flag (S) in SREG (Status Register).

#### Operation:

(i)  $S \leftarrow 1$

#### Syntax:

(i) SES

#### Operands:

None

#### Program Counter:

$PC \leftarrow PC + 1$

#### 16-bit Opcode:

1001	0100	0100	1000
------	------	------	------

### Status Register (SREG) and Boolean Formula:

I	T	H	S	V	N	Z	C
-	-	-	1	-	-	-	-

S: 1  
Signed Flag set

### Example:

```
add r2,r19 ; Add r19 to r2
ses        ; Set Negative Flag
```

**Words:** 1 (2 bytes)

**Cycles:** 1

## SET – Set T Flag

---

### Description:

Sets the T Flag in SREG (Status Register).

#### Operation:

(i)  $T \leftarrow 1$

#### Syntax:

(i) SET

#### Operands:

None

#### Program Counter:

$PC \leftarrow PC + 1$

#### 16-bit Opcode:

1001	0100	0110	1000
------	------	------	------

### Status Register (SREG) and Boolean Formula:

I	T	H	S	V	N	Z	C
-	1	-	-	-	-	-	-

T: 1  
T Flag set

### Example:

```
set ; Set T Flag
```

**Words:** 1 (2 bytes)

**Cycles:** 1

## SEV – Set Overflow Flag

---

### Description:

Sets the Overflow Flag (V) in SREG (Status Register).

#### Operation:

(i)  $V \leftarrow 1$

#### Syntax:

(i) SEV

#### Operands:

None

#### Program Counter:

$PC \leftarrow PC + 1$

#### 16-bit Opcode:

1001	0100	0011	1000
------	------	------	------

### Status Register (SREG) and Boolean Formula:

I	T	H	S	V	N	Z	C
-	-	-	-	1	-	-	-

V: 1  
Overflow Flag set

### Example:

```
add r2,r19 ; Add r19 to r2
sev       ; Set Overflow Flag
```

**Words:** 1 (2 bytes)

**Cycles:** 1

## SEZ – Set Zero Flag

### Description:

Sets the Zero Flag (Z) in SREG (Status Register).

#### Operation:

(i)  $Z \leftarrow 1$

#### Syntax:

(i) SEZ

#### Operands:

None

#### Program Counter:

$PC \leftarrow PC + 1$

#### 16-bit Opcode:

1001	0100	0001	1000
------	------	------	------

### Status Register (SREG) and Boolean Formula:

I	T	H	S	V	N	Z	C
-	-	-	-	-	-	1	-

Z: 1  
Zero Flag set

### Example:

```
add r2,r19 ; Add r19 to r2
sez       ; Set Zero Flag
```

**Words:** 1 (2 bytes)

**Cycles:** 1

# SLEEP

---

## Description:

This instruction sets the circuit in sleep mode defined by the MCU Control Register.

### Operation:

Refer to the device documentation for detailed description of SLEEP usage.

### Syntax:

SLEEP

### Operands:

None

### Program Counter:

PC ← PC + 1

### 16-bit Opcode:

1001	0101	1000	1000
------	------	------	------

## Status Register (SREG) and Boolean Formula:

I	T	H	S	V	N	Z	C
-	-	-	-	-	-	-	-

## Example:

```

mov    r0,r11      ; Copy r11 to r0
ldi    r16,(1<<SE) ; Enable sleep mode
out    MCUCR, r16
sleep                ; Put MCU in sleep mode

```

**Words:** 1 (2 bytes)

**Cycles:** 1



## SPM – Store Program Memory

### Description:

SPM can be used to erase a page in the Program memory, to write a page in the Program memory (that is already erased), and to set Boot Loader Lock bits. In some devices, the Program memory can be written one word at a time, in other devices an entire page can be programmed simultaneously after first filling a temporary page buffer. In all cases, the Program memory must be erased one page at a time. When erasing the Program memory, the RAMPZ and Z-register are used as page address. When writing the Program memory, the RAMPZ and Z-register are used as page or word address, and the R1:R0 register pair is used as data<sup>(1)</sup>. When setting the Boot Loader Lock bits, the R1:R0 register pair is used as data. Refer to the device documentation for detailed description of SPM usage. This instruction can address the entire Program memory.

The SPM instruction is not available in all devices. Refer to the device specific instruction set summary.

Note: 1. R1 determines the instruction high byte, and R0 determines the instruction low byte.

	<b>Operation:</b>	<b>Comment:</b>
(i)	(RAMPZ:Z) ← \$ffff	Erase Program memory page
(ii)	(RAMPZ:Z) ← R1:R0	Write Program memory word
(iii)	(RAMPZ:Z) ← R1:R0	Write temporary page buffer
(iv)	(RAMPZ:Z) ← TEMP	Write temporary page buffer to Program memory
(v)	BLBITS ← R1:R0	Set Boot Loader Lock bits

	<b>Syntax:</b>	<b>Operands:</b>	<b>Program Counter:</b>
(i)-(v)	SPM	Z+	PC ← PC + 1

### 16-bit Opcode:

1001	0101	1110	1000
------	------	------	------

### Status Register (SREG) and Boolean Formula:

I	T	H	S	V	N	Z	C
-	-	-	-	-	-	-	-

### Example:

```

;This example shows SPM write of one page for devices with page write
;- the routine writes one page of data from RAM to Flash
; the first data location in RAM is pointed to by the Y-pointer
; the first data location in Flash is pointed to by the Z-pointer
;- error handling is not included
;- the routine must be placed inside the boot space
; (at least the do_spm sub routine)
;- registers used: r0, r1, temp1, temp2, looplo, loophi, spmcval
; (temp1, temp2, looplo, loophi, spmcval must be defined by the user)
; storing and restoring of registers is not included in the routine
; register usage can be optimized at the expense of code size

```

```

.equ PAGESIZEB = PAGESIZE*2; PAGESIZEB is page size in BYTES, not words
.org SMALLBOOTSTART
write_page:

```



```

;page erase
ldispmcrval, (1<<PGERS) + (1<<SPMEN)
calldo_spm

;transfer data from RAM to Flash page buffer
ldilooplo, low(PAGESIZEB);init loop variable
ldiloophi, high(PAGESIZEB);not required for PAGESIZEB<=256
wrloop:ldr0, Y+
ldr1, Y+
ldispmcrval, (1<<SPMEN)
calldo_spm
adiwZH:ZL, 2
sbiwloophi:looplo, 2;use subi for PAGESIZEB<=256
brnewrloop

;execute page write
subiZL, low(PAGESIZEB);restore pointer
sbciZH, high(PAGESIZEB);not required for PAGESIZEB<=256
ldispmcrval, (1<<PGWRT) + (1<<SPMEN)
calldo_spm

;read back and check, optional
ldilooplo, low(PAGESIZEB);init loop variable
ldiloophi, high(PAGESIZEB);not required for PAGESIZEB<=256
subiYL, low(PAGESIZEB);restore pointer
sbciYH, high(PAGESIZEB)
rdloop:lpmr0, Z+
ldr1, Y+
cpser0, r1
jmperror
sbiwloophi:looplo, 2;use subi for PAGESIZEB<=256
brnerdloop

;return
ret

do_spm:
;input: spmcrval determines SPM action
;disable interrupts if enabled, store status
intemp2, SREG
cli
;check for previous SPM complete
wait:intemp1, SPMCR
sbrctemp1, SP MEN
rjmpwait
;SPM timed sequence
outSPMCR, spmcrval
spm
;restore SREG (to enable interrupts if originally enabled)
outSREG, temp2

```

ret

**Words:** 1 (2 bytes)

**Cycles:** depends on the operation

## SPM #2– Store Program Memory

### Description:

SPM can be used to erase a page in the Program memory and to write a page in the Program memory (that is already erased). An entire page can be programmed simultaneously after first filling a temporary page buffer. The Program memory must be erased one page at a time. When erasing the Program memory, the RAMPZ and Z-register are used as page address. When writing the Program memory, the RAMPZ and Z-register are used as page or word address, and the R1:R0 register pair is used as data<sup>(1)</sup>.

Refer to the device documentation for detailed description of SPM usage. This instruction can address the entire Program memory.

Note: 1. R1 determines the instruction high byte, and R0 determines the instruction low byte.

Operation:		Comment:	
(i)	(RAMPZ:Z) ← \$ffff		Erase Program memory page
(ii)	(RAMPZ:Z) ← R1:R0		Load Page Buffer
(iii)	(RAMPZ:Z) ← BUFFER		Write Page Buffer to Program memory
(iv)	(RAMPZ:Z) ← \$fff	Z ← Z + 2	Erase Program memory page, Z post incremented
(v)	(RAMPZ:Z) ← R1:R0	Z ← Z + 2	Load Page Buffer, Z post incremented
(vi)	(RAMPZ:Z) ← BUFFER	Z ← Z + 2	Write Page Buffer to Program memory, Z post incremented

Syntax:	Operands:	Program Counter:
(i)-(iii) SPM	None	PC ← PC + 1
(iv)-(vi) SPM Z+	None	PC ← PC + 1

### 16-bit Opcode:

(i)-(iii)	1001	0101	1110	1000
(iv)-(vi)	1001	0101	1111	1000

### Status Register (SREG) and Boolean Formula:

I	T	H	S	V	N	Z	C
-	-	-	-	-	-	-	-

### Example:

TBD

**Words:** 1 (2 bytes)

**Cycles:** depends on the operation

## ST – Store Indirect From Register to Data Space using Index X

### Description:

Stores one byte indirect from a register to data space. For parts with SRAM, the data space consists of the Register File, I/O memory and internal SRAM (and external SRAM if applicable). For parts without SRAM, the data space consists of the Register File only. The EEPROM has a separate address space.

The data location is pointed to by the X (16 bits) Pointer Register in the Register File. Memory access is limited to the current data segment of 64K bytes. To access another data segment in devices with more than 64K bytes data space, the RAMPX in register in the I/O area has to be changed.

The X-pointer Register can either be left unchanged by the operation, or it can be post-incremented or pre-decremented. These features are especially suited for accessing arrays, tables, and Stack Pointer usage of the X-pointer Register. Note that only the low byte of the X-pointer is updated in devices with no more than 256 bytes data space. For such devices, the high byte of the pointer is not used by this instruction and can be used for other purposes. The RAMPX Register in the I/O area is updated in parts with more than 64K bytes data space or more than 64K bytes Program memory, and the increment/ decrement is added to the entire 24-bit address on such devices.

Not all variants of this instruction is available in all devices. Refer to the device specific instruction set summary.

The result of these combinations is undefined:

ST X+, r26  
 ST X+, r27  
 ST -X, r26  
 ST -X, r27

### Using the X-pointer:

	<b>Operation:</b>		<b>Comment:</b>
(i)	$(X) \leftarrow Rr$		X: Unchanged
(ii)	$(X) \leftarrow Rr$	$X \leftarrow X+1$	X: Post incremented
(iii)	$X \leftarrow X - 1$	$(X) \leftarrow Rr$	X: Pre decremented
	<b>Syntax:</b>	<b>Operands:</b>	<b>Program Counter:</b>
(i)	ST X, Rr	$0 \leq r \leq 31$	PC $\leftarrow$ PC + 1
(ii)	ST X+, Rr	$0 \leq r \leq 31$	PC $\leftarrow$ PC + 1
(iii)	ST -X, Rr	$0 \leq r \leq 31$	PC $\leftarrow$ PC + 1

### 16-bit Opcode :

(i)	1001	001r	rrrr	1100
(ii)	1001	001r	rrrr	1101
(iii)	1001	001r	rrrr	1110

### Status Register (SREG) and Boolean Formula:

I	T	H	S	V	N	Z	C
-	-	-	-	-	-	-	-

**Example:**

```

clr    r27        ; Clear X high byte
ldi    r26,$60    ; Set X low byte to $60
st     X+,r0      ; Store r0 in data space loc. $60(X post inc)
st     X,r1       ; Store r1 in data space loc. $61
ldi    r26,$63    ; Set X low byte to $63
st     X,r2       ; Store r2 in data space loc. $63
st     -X,r3      ; Store r3 in data space loc. $62(X pre dec)

```

**Words:** 1 (2 bytes)

**Cycles:** 2

**Cycles XMEGA:** (i) 1  
(ii) 1  
(iii) 2

**Cycles ATtiny10:** (i) 1  
(ii) 1  
(iii) 2

## ST (STD) – Store Indirect From Register to Data Space using Index Y

### Description:

Stores one byte indirect with or without displacement from a register to data space. For parts with SRAM, the data space consists of the Register File, I/O memory and internal SRAM (and external SRAM if applicable). For parts without SRAM, the data space consists of the Register File only. The EEPROM has a separate address space.

The data location is pointed to by the Y (16 bits) Pointer Register in the Register File. Memory access is limited to the current data segment of 64K bytes. To access another data segment in devices with more than 64K bytes data space, the RAMPY in register in the I/O area has to be changed.

The Y-pointer Register can either be left unchanged by the operation, or it can be post-incremented or pre-decremented. These features are especially suited for accessing arrays, tables, and Stack Pointer usage of the Y-pointer Register. Note that only the low byte of the Y-pointer is updated in devices with no more than 256 bytes data space. For such devices, the high byte of the pointer is not used by this instruction and can be used for other purposes. The RAMPY Register in the I/O area is updated in parts with more than 64K bytes data space or more than 64K bytes Program memory, and the increment/ decrement/displacement is added to the entire 24-bit address on such devices.

Not all variants of this instruction is available in all devices. Refer to the device specific instruction set summary.

The result of these combinations is undefined:

ST Y+, r28  
 ST Y+, r29  
 ST -Y, r28  
 ST -Y, r29

### Using the Y-pointer:

	<b>Operation:</b>		<b>Comment:</b>
(i)	$(Y) \leftarrow Rr$		Y: Unchanged
(ii)	$(Y) \leftarrow Rr$	$Y \leftarrow Y+1$	Y: Post incremented
(iii)	$Y \leftarrow Y - 1$	$(Y) \leftarrow Rr$	Y: Pre decremented
(iv)	$(Y+q) \leftarrow Rr$		Y: Unchanged, q: Displacement

	<b>Syntax:</b>	<b>Operands:</b>	<b>Program Counter:</b>
(i)	ST Y, Rr	$0 \leq r \leq 31$	$PC \leftarrow PC + 1$
(ii)	ST Y+, Rr	$0 \leq r \leq 31$	$PC \leftarrow PC + 1$
(iii)	ST -Y, Rr	$0 \leq r \leq 31$	$PC \leftarrow PC + 1$
(iv)	STD Y+q, Rr	$0 \leq r \leq 31, 0 \leq q \leq 63$	$PC \leftarrow PC + 1$

### 16-bit Opcode:

(i)	1000	001r	rrrr	1000
(ii)	1001	001r	rrrr	1001
(iii)	1001	001r	rrrr	1010
(iv)	10q0	qq1r	rrrr	1qqq

### Status Register (SREG) and Boolean Formula:

I	T	H	S	V	N	Z	C
-	-	-	-	-	-	-	-

#### Example:

```

clr    r29        ; Clear Y high byte
ldi    r28,$60    ; Set Y low byte to $60
st     Y+,r0      ; Store r0 in data space loc. $60(Y post inc)
st     Y,r1       ; Store r1 in data space loc. $61
ldi    r28,$63    ; Set Y low byte to $63
st     Y,r2       ; Store r2 in data space loc. $63
st     -Y,r3      ; Store r3 in data space loc. $62(Y pre dec)
std    Y+2,r4     ; Store r4 in data space loc. $64

```

**Words:** 1 (2 bytes)

**Cycles:** 2

**Cycles XMEGA:**

- (i) 1
- (ii) 1
- (iii) 2
- (iv) 2

**Cycles ATtiny10:**

- (i) 1
- (ii) 1
- (iii) 2



## ST (STD) – Store Indirect From Register to Data Space using Index Z

### Description:

Stores one byte indirect with or without displacement from a register to data space. For parts with SRAM, the data space consists of the Register File, I/O memory and internal SRAM (and external SRAM if applicable). For parts without SRAM, the data space consists of the Register File only. The EEPROM has a separate address space.

The data location is pointed to by the Z (16 bits) Pointer Register in the Register File. Memory access is limited to the current data segment of 64K bytes. To access another data segment in devices with more than 64K bytes data space, the RAMPZ in register in the I/O area has to be changed.

The Z-pointer Register can either be left unchanged by the operation, or it can be post-incremented or pre-decremented. These features are especially suited for Stack Pointer usage of the Z-pointer Register, however because the Z-pointer Register can be used for indirect subroutine calls, indirect jumps and table lookup, it is often more convenient to use the X or Y-pointer as a dedicated Stack Pointer. Note that only the low byte of the Z-pointer is updated in devices with no more than 256 bytes data space. For such devices, the high byte of the pointer is not used by this instruction and can be used for other purposes. The RAMPZ Register in the I/O area is updated in parts with more than 64K bytes data space or more than 64K bytes Program memory, and the increment/decrement/displacement is added to the entire 24-bit address on such devices.

Not all variants of this instruction is available in all devices. Refer to the device specific instruction set summary.

The result of these combinations is undefined:

ST Z+, r30  
 ST Z+, r31  
 ST -Z, r30  
 ST -Z, r31

### Using the Z-pointer:

	<b>Operation:</b>		<b>Comment:</b>
(i)	$(Z) \leftarrow Rr$		Z: Unchanged
(ii)	$(Z) \leftarrow Rr$	$Z \leftarrow Z+1$	Z: Post incremented
(iii)	$Z \leftarrow Z - 1$	$(Z) \leftarrow Rr$	Z: Pre decremented
(iv)	$(Z+q) \leftarrow Rr$		Z: Unchanged, q: Displacement

	<b>Syntax:</b>	<b>Operands:</b>	<b>Program Counter:</b>
(i)	ST Z, Rr	$0 \leq r \leq 31$	$PC \leftarrow PC + 1$
(ii)	ST Z+, Rr	$0 \leq r \leq 31$	$PC \leftarrow PC + 1$
(iii)	ST -Z, Rr	$0 \leq r \leq 31$	$PC \leftarrow PC + 1$
(iv)	STD Z+q, Rr	$0 \leq r \leq 31, 0 \leq q \leq 63$	$PC \leftarrow PC + 1$

**16-bit Opcode :**

(i)	1000	001r	rrrr	0000
(ii)	1001	001r	rrrr	0001
(iii)	1001	001r	rrrr	0010
(iv)	10q0	qq1r	rrrr	0qqq

**Status Register (SREG) and Boolean Formula:**

I	T	H	S	V	N	Z	C
-	-	-	-	-	-	-	-

**Example:**

```

clr    r31      ; Clear Z high byte
ldi    r30,$60  ; Set Z low byte to $60
st     Z+,r0    ; Store r0 in data space loc. $60(Z post inc)
st     Z,r1     ; Store r1 in data space loc. $61
ldi    r30,$63  ; Set Z low byte to $63
st     Z,r2     ; Store r2 in data space loc. $63
st     -Z,r3    ; Store r3 in data space loc. $62(Z pre dec)
std    Z+2,r4   ; Store r4 in data space loc. $64
    
```

**Words:** 1 (2 bytes)

**Cycles:** 2

**Cycles XMEGA:**

- (i) 1
- (ii) 1
- (iii) 2
- (iv) 2

**Cycles ATtiny10:**

- (i) 1
- (ii) 1
- (iii) 2

## STS – Store Direct to Data Space

### Description:

Stores one byte from a Register to the data space. For parts with SRAM, the data space consists of the Register File, I/O memory and internal SRAM (and external SRAM if applicable). For parts without SRAM, the data space consists of the Register File only. The EEPROM has a separate address space.

A 16-bit address must be supplied. Memory access is limited to the current data segment of 64K bytes. The STS instruction uses the RAMPD Register to access memory above 64K bytes. To access another data segment in devices with more than 64K bytes data space, the RAMPD in register in the I/O area has to be changed.

This instruction is not available in all devices. Refer to the device specific instruction set summary.

### Operation:

(i)  $(k) \leftarrow Rr$

### Syntax:

(i) STS k,Rr

### Operands:

$0 \leq r \leq 31, 0 \leq k \leq 65535$

### Program Counter:

$PC \leftarrow PC + 2$

### 32-bit Opcode:

1001	001d	dddd	0000
kkkk	kkkk	kkkk	kkkk

### Status Register (SREG) and Boolean Formula:

I	T	H	S	V	N	Z	C
-	-	-	-	-	-	-	-

### Example:

```
lds    r2,$FF00    ; Load r2 with the contents of data space location $FF00
add    r2,r1       ; add r1 to r2
sts    $FF00,r2    ; Write back
```

**Words:** 2 (4 bytes)

**Cycles:** 2

## STS (16-bit) – Store Direct to Data Space

### Description:

Stores one byte from a Register to the data space. For parts with SRAM, the data space consists of the Register File, I/O memory and internal SRAM (and external SRAM if applicable). For parts without SRAM, the data space consists of the Register File only. In some parts the Flash memory has been mapped to the data space and can be written using this command. The EEPROM has a separate address space.

A 7-bit address must be supplied. The address given in the instruction is coded to a data space address as follows:

$$\text{ADDR}[7:0] = (\overline{\text{INST}}[8], \text{INST}[8], \text{INST}[10], \text{INST}[9], \text{INST}[3], \text{INST}[2], \text{INST}[1], \text{INST}[0])$$

Memory access is limited to the address range 0x40...0xbf of the data segment.

This instruction is not available in all devices. Refer to the device specific instruction set summary.

### Operation:

(i)  $(k) \leftarrow Rr$

### Syntax:

(i) STS k,Rr

### Operands:

$16 \leq r \leq 31, 0 \leq k \leq 127$

### Program Counter:

$PC \leftarrow PC + 1$

### 16-bit Opcode:

1010	1kkk	dddd	kkkk
------	------	------	------

### Status Register (SREG) and Boolean Formula:

I	T	H	S	V	N	Z	C
-	-	-	-	-	-	-	-

### Example:

```
lds    r16,$00    ; Load r16 with the contents of data space location $00
add    r16,r17    ; add r17 to r16
sts    $00,r16    ; Write result to the same address it was fetched from
```

**Words:** 1 (2 bytes)

**Cycles:** 1

**Note:** Registers r0..r15 are remapped to r16..r31

## SUB – Subtract without Carry

### Description:

Subtracts two registers and places the result in the destination register Rd.

#### Operation:

$$(i) \quad R_d \leftarrow R_d - R_r$$

#### Syntax:

(i) SUB Rd,Rr

#### Operands:

$0 \leq d \leq 31, 0 \leq r \leq 31$

#### Program Counter:

$PC \leftarrow PC + 1$

#### 16-bit Opcode:

0001	10rd	dddd	rrrr
------	------	------	------

### Status Register and Boolean Formula:

I	T	H	S	V	N	Z	C
-	-	$\Leftrightarrow$	$\Leftrightarrow$	$\Leftrightarrow$	$\Leftrightarrow$	$\Leftrightarrow$	$\Leftrightarrow$

H:  $\overline{Rd3} \bullet Rr3 + Rr3 \bullet R3 + R3 \bullet \overline{Rd3}$   
Set if there was a borrow from bit 3; cleared otherwise

S:  $N \oplus V$ , For signed tests.

V:  $Rd7 \bullet \overline{Rr7} \bullet \overline{R7} + \overline{Rd7} \bullet Rr7 \bullet R7$   
Set if two's complement overflow resulted from the operation; cleared otherwise.

N: R7  
Set if MSB of the result is set; cleared otherwise.

Z:  $\overline{R7} \bullet \overline{R6} \bullet \overline{R5} \bullet \overline{R4} \bullet \overline{R3} \bullet \overline{R2} \bullet \overline{R1} \bullet \overline{R0}$   
Set if the result is \$00; cleared otherwise.

C:  $\overline{Rd7} \bullet Rr7 + Rr7 \bullet R7 + R7 \bullet \overline{Rd7}$   
Set if the absolute value of the contents of Rr is larger than the absolute value of Rd; cleared otherwise.

R (Result) equals Rd after the operation.

### Example:

```

sub    r13,r12    ; Subtract r12 from r13
brne  noteq      ; Branch if r12<>r13
...
noteq: nop        ; Branch destination (do nothing)
    
```

**Words:** 1 (2 bytes)

**Cycles:** 1

## SUBI – Subtract Immediate

### Description:

Subtracts a register and a constant and places the result in the destination register Rd. This instruction is working on Register R16 to R31 and is very well suited for operations on the X, Y and Z-pointers.

#### Operation:

$$(i) \quad R_d \leftarrow R_d - K$$

#### Syntax:

(i) SUBI Rd,K

#### Operands:

$16 \leq d \leq 31, 0 \leq K \leq 255$

#### Program Counter:

$PC \leftarrow PC + 1$

#### 16-bit Opcode:

0101	KKKK	dddd	KKKK
------	------	------	------

### Status Register and Boolean Formula:

I	T	H	S	V	N	Z	C
-	-	↔	↔	↔	↔	↔	↔

H:  $\overline{Rd3} \bullet K3 + K3 \bullet R3 + R3 \bullet \overline{Rd3}$   
Set if there was a borrow from bit 3; cleared otherwise

S:  $N \oplus V$ , For signed tests.

V:  $Rd7 \bullet \overline{K7} \bullet \overline{R7} + \overline{Rd7} \bullet K7 \bullet R7$   
Set if two's complement overflow resulted from the operation; cleared otherwise.

N: R7  
Set if MSB of the result is set; cleared otherwise.

Z:  $\overline{R7} \bullet \overline{R6} \bullet \overline{R5} \bullet \overline{R4} \bullet \overline{R3} \bullet \overline{R2} \bullet \overline{R1} \bullet \overline{R0}$   
Set if the result is \$00; cleared otherwise.

C:  $\overline{Rd7} \bullet K7 + K7 \bullet R7 + R7 \bullet \overline{Rd7}$   
Set if the absolute value of K is larger than the absolute value of Rd; cleared otherwise.

R (Result) equals Rd after the operation.

### Example:

```

subi    r22,$11    ; Subtract $11 from r22
brne    noteq     ; Branch if r22<>$11
...
noteq:  nop       ; Branch destination (do nothing)

```

**Words:** 1 (2 bytes)

**Cycles:** 1

## SWAP – Swap Nibbles

### Description:

Swaps high and low nibbles in a register.

#### Operation:

(i)  $R(7:4) \leftarrow R(3:0)$ ,  $R(3:0) \leftarrow R(7:4)$

#### Syntax:

(i) SWAP Rd

#### Operands:

$0 \leq d \leq 31$

#### Program Counter:

$PC \leftarrow PC + 1$

#### 16-bit Opcode:

1001	010d	dddd	0010
------	------	------	------

### Status Register and Boolean Formula:

I	T	H	S	V	N	Z	C
-	-	-	-	-	-	-	-

R (Result) equals Rd after the operation.

### Example:

```
inc    r1    ; Increment r1
swap   r1    ; Swap high and low nibble of r1
inc    r1    ; Increment high nibble of r1
swap   r1    ; Swap back
```

**Words:** 1 (2 bytes)

**Cycles:** 1

## TST – Test for Zero or Minus

### Description:

Tests if a register is zero or negative. Performs a logical AND between a register and itself. The register will remain unchanged.

#### Operation:

(i)  $Rd \leftarrow Rd \bullet Rd$

#### Syntax:

(i) TST Rd

#### Operands:

$0 \leq d \leq 31$

#### Program Counter:

$PC \leftarrow PC + 1$

#### 16-bit Opcode: (see AND Rd, Rd)

0010	00dd	dddd	dddd
------	------	------	------

### Status Register and Boolean Formula:

I	T	H	S	V	N	Z	C
-	-	-	$\leftrightarrow$	0	$\leftrightarrow$	$\leftrightarrow$	-

S:  $N \oplus V$ , For signed tests.

V: 0  
Cleared

N: R7  
Set if MSB of the result is set; cleared otherwise.

Z:  $\overline{R7} \bullet \overline{R6} \bullet \overline{R5} \bullet \overline{R4} \bullet \overline{R3} \bullet \overline{R2} \bullet \overline{R1} \bullet \overline{R0}$   
Set if the result is \$00; cleared otherwise.

R (Result) equals Rd.

### Example:

```

tst  r0      ; Test r0
breq zero   ; Branch if r0=0
...
zero: nop    ; Branch destination (do nothing)

```

Words: 1 (2 bytes)

Cycles: 1



## WDR – Watchdog Reset

---

### Description:

This instruction resets the Watchdog Timer. This instruction must be executed within a limited time given by the WD prescaler. See the Watchdog Timer hardware specification.

#### Operation:

- (i) WD timer restart.

#### Syntax:

- (i) WDR

#### Operands:

None

#### Program Counter:

PC ← PC + 1

#### 16-bit Opcode:

1001	0101	1010	1000
------	------	------	------

### Status Register and Boolean Formula:

I	T	H	S	V	N	Z	C
-	-	-	-	-	-	-	-

### Example:

```
wdr ; Reset watchdog timer
```

**Words:** 1 (2 bytes)

**Cycles:** 1

## Datasheet Revision History

---

Please note that the referring page numbers in this section are referred to this document. The referring revision in this section is referred to the document revision.

### Rev.0856H – 04/09

1. Updated “Complete Instruction Set Summary” on page 11:
  - Updated number of clock cycles column to include ATtiny10.
2. Updated sections for ATtiny10 compatibility:
  - “CBI – Clear Bit in I/O Register” on page 48
  - “LD – Load Indirect from Data Space to Register using Index X” on page 84
  - “LD (LDD) – Load Indirect from Data Space to Register using Index Y” on page 87
  - “LD (LDD) – Load Indirect From Data Space to Register using Index Z” on page 89
  - “RCALL – Relative Call to Subroutine” on page 111
  - “SBI – Set Bit in I/O Register” on page 120
  - “ST – Store Indirect From Register to Data Space using Index X” on page 141
  - “ST (STD) – Store Indirect From Register to Data Space using Index Y” on page 143
  - “ST (STD) – Store Indirect From Register to Data Space using Index Z” on page 145
3. Added sections for ATtiny10 compatibility:
  - “LDS (16-bit) – Load Direct from Data Space” on page 93
  - “STS (16-bit) – Store Direct to Data Space” on page 148

### Rev.0856G – 07/08

1. Inserted “Datasheet Revision History”
2. Updated “Cycles XMEGA” for ST, by removing (iv).
3. Updated “SPM #2” opcodes.

### Rev.0856F – 05/08

1. This revision is based on the AVR Instruction Set 0856E-AVR-11/05

Changes done compared to AVR Instruction Set 0856E-AVR-11/05:

- Updated “Complete Instruction Set Summary” with DES and SPM #2.
- Updated AVR Instruction Set with XMEGA Clock cycles and Instruction Description.



## Headquarters

---

**Atmel Corporation**  
2325 Orchard Parkway  
San Jose, CA 95131  
USA  
Tel: 1(408) 441-0311  
Fax: 1(408) 487-2600

## International

---

**Atmel Asia**  
Unit 1-5 & 16, 19/F  
BEA Tower, Millennium City 5  
418 Kwun Tong Road  
Kwun Tong, Kowloon  
Hong Kong  
Tel: (852) 2245-6100  
Fax: (852) 2722-1369

**Atmel Europe**  
Le Krebs  
8, Rue Jean-Pierre Timbaud  
BP 309  
78054 Saint-Quentin-en-  
Yvelines Cedex  
France  
Tel: (33) 1-30-60-70-00  
Fax: (33) 1-30-60-71-11

**Atmel Japan**  
9F, Tonetsu Shinkawa Bldg.  
1-24-8 Shinkawa  
Chuo-ku, Tokyo 104-0033  
Japan  
Tel: (81) 3-3523-3551  
Fax: (81) 3-3523-7581

## Product Contact

---

**Web Site**  
[www.atmel.com](http://www.atmel.com)

**Technical Support**  
[avr@atmel.com](mailto:avr@atmel.com)

**Sales Contact**  
[www.atmel.com/contacts](http://www.atmel.com/contacts)

**Literature Requests**  
[www.atmel.com/literature](http://www.atmel.com/literature)

---

**Disclaimer:** The information in this document is provided in connection with Atmel products. No license, express or implied, by estoppel or otherwise, to any intellectual property right is granted by this document or in connection with the sale of Atmel products. **EXCEPT AS SET FORTH IN ATMEL'S TERMS AND CONDITIONS OF SALE LOCATED ON ATMEL'S WEB SITE, ATMEL ASSUMES NO LIABILITY WHATSOEVER AND DISCLAIMS ANY EXPRESS, IMPLIED OR STATUTORY WARRANTY RELATING TO ITS PRODUCTS INCLUDING, BUT NOT LIMITED TO, THE IMPLIED WARRANTY OF MERCHANTABILITY, FITNESS FOR A PARTICULAR PURPOSE, OR NON-INFRINGEMENT. IN NO EVENT SHALL ATMEL BE LIABLE FOR ANY DIRECT, INDIRECT, CONSEQUENTIAL, PUNITIVE, SPECIAL OR INCIDENTAL DAMAGES (INCLUDING, WITHOUT LIMITATION, DAMAGES FOR LOSS OF PROFITS, BUSINESS INTERRUPTION, OR LOSS OF INFORMATION) ARISING OUT OF THE USE OR INABILITY TO USE THIS DOCUMENT, EVEN IF ATMEL HAS BEEN ADVISED OF THE POSSIBILITY OF SUCH DAMAGES.** Atmel makes no representations or warranties with respect to the accuracy or completeness of the contents of this document and reserves the right to make changes to specifications and product descriptions at any time without notice. Atmel does not make any commitment to update the information contained herein. Unless specifically provided otherwise, Atmel products are not suitable for, and shall not be used in, automotive applications. Atmel's products are not intended, authorized, or warranted for use as components in applications intended to support or sustain life.

© 2009 Atmel Corporation. All rights reserved. Atmel®, Atmel logo and combinations thereof, AVR® and others are registered trademarks or trademarks of Atmel Corporation or its subsidiaries. Other terms and product names may be trademarks of others.