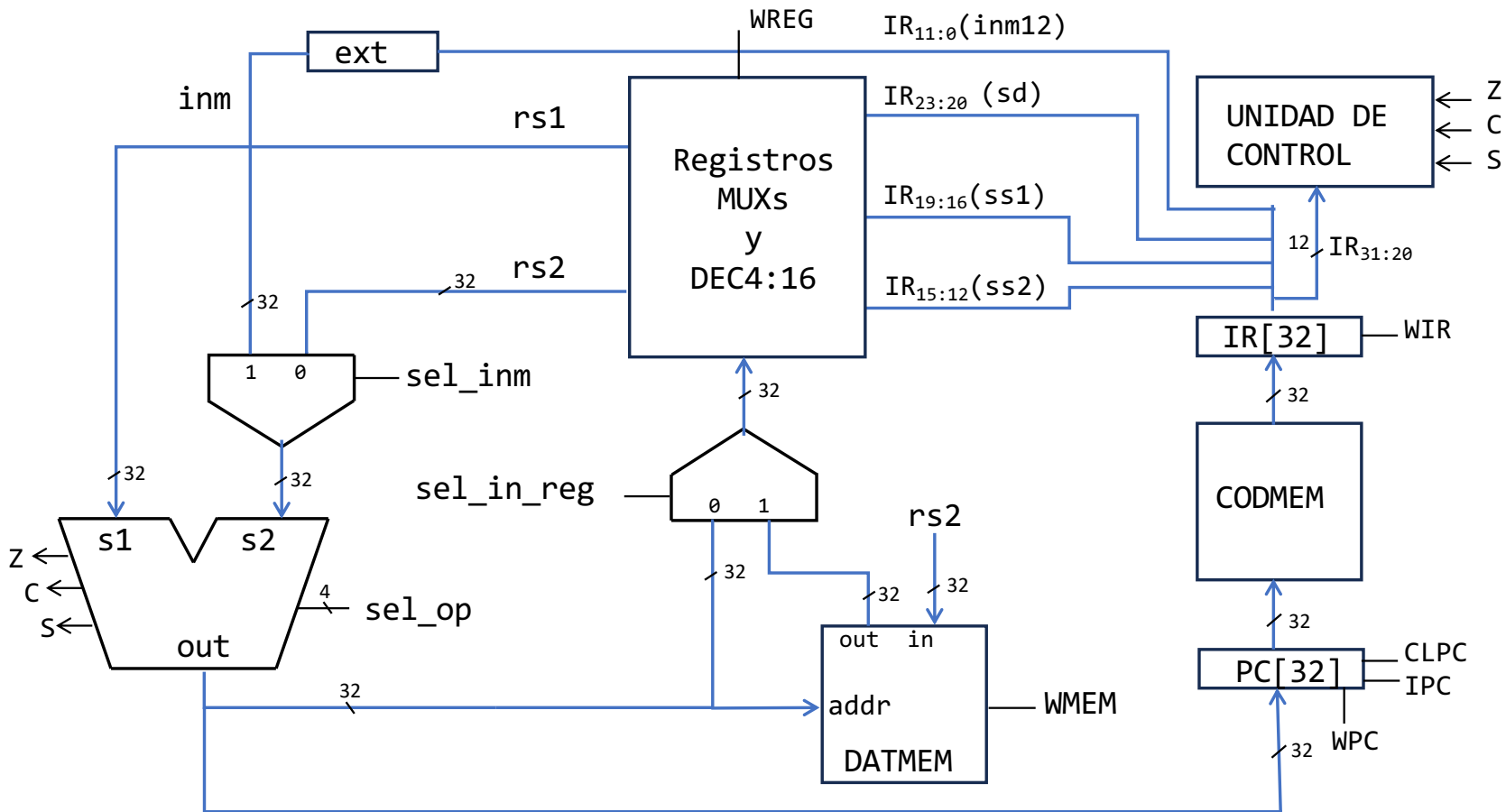


Arquitectura RISC Y



sel_op	operación alu
0000	out=s1+s2
0001	out=s1-s2
0010	out=s2
0011	out=s1⊕s2
0100	out=s1 or s2
0101	out=s1 and s2
0110	out=s1<<s2 _{4:0}
0111	out=s1>>s2 _{4:0}
1000	out=s1>>>s2 _{4:0}